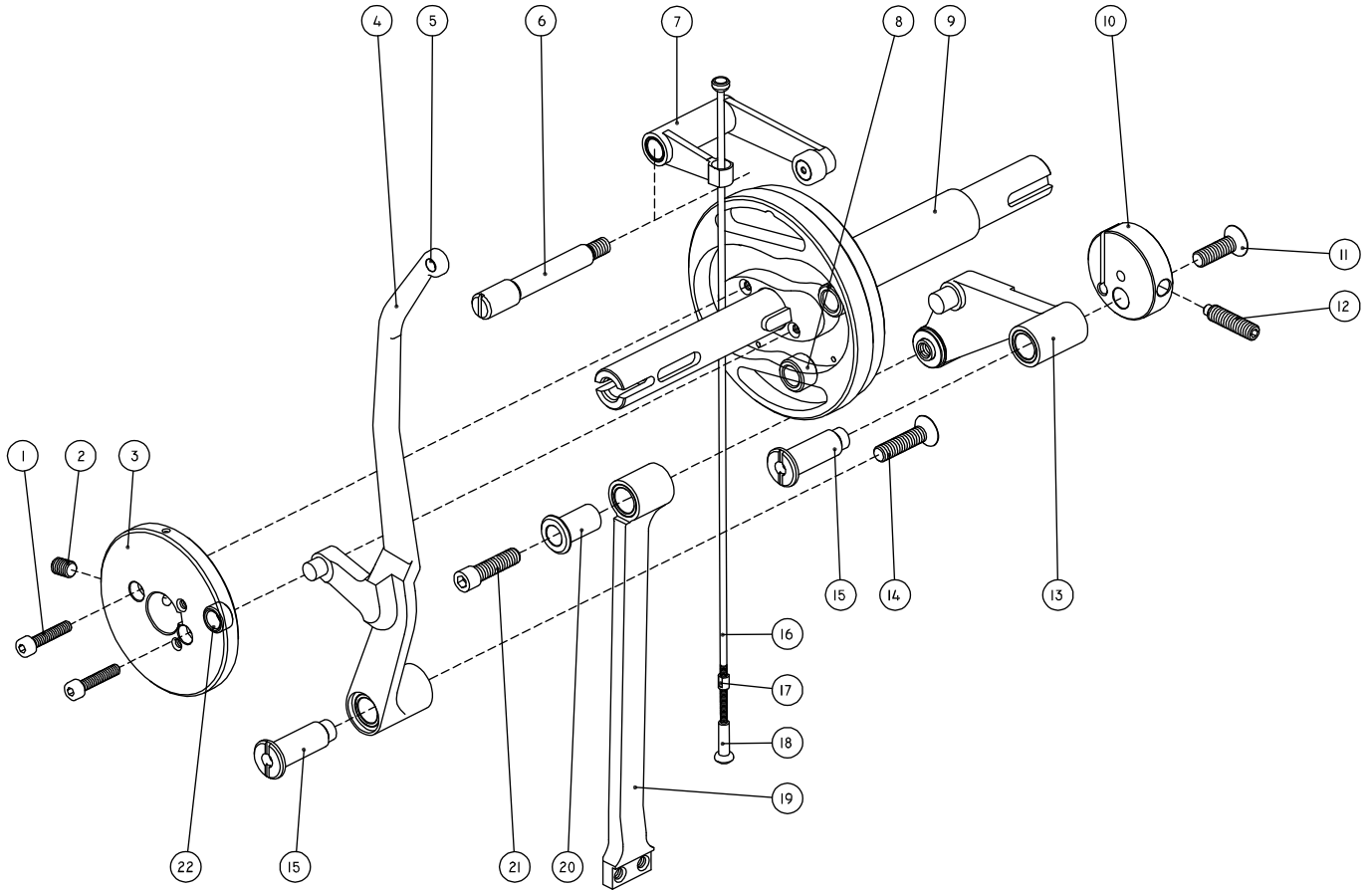


# PARTS BOOK

## MODEL K150

### Table of Contents

<b>I. MACHINE HEAD</b>	
Head _____	01
Thread Take-Up, Looper & Spreader Drives _____	02
Needle Bar Drive & -Turning _____	03
Stitch Bite _____	04
Clutch Drive _____	05
Stitch Regulator _____	06
Safety Stop, Three Forked Lever _____	07
Stop Bolt _____	08
Top Thread Tension _____	09
Cutting Lever, Finger Guard, Main Oil Reservoir, Top Head Cover _____	10
<b>II. MACHINE BEDPLATE</b>	
Bedplate, Back Cover _____	11
Clamp Arms, Clamp Feet, Clamp Plates _____	12
Bedplate Stud & Clamp Spreading _____	13
Clamp Pull Down _____	14
Cut Before & Cut After _____	15
Buttonhole Length & Eye Control _____	16
<b>III. MACHINE CAMCASE</b>	
Camcase _____	17
Trimmer Actuator & Main Cam _____	18
Rear Shaft & Drive Clutch _____	19
Shifting Lever & Cutting Knife _____	20
Unclamping- & Combination Lever _____	21
Flybar Pins & Sector Lever _____	22
Driving- & Cutting Wheel _____	23
Race, Thread Trimmer, Loopers & Spreaders _____	24
Looper- & Spreader Drive _____	25
<b>IV. BASE, COVERS, MOTOR, TABLE</b>	
Base _____	26
Covers for Drive Wheel & Clutch _____	27
Stopbolt Cover _____	28
V-Belt Cover _____	29
Motor Pulley, Motor Bracket, Foot Pedal _____	30
Submerged Table _____	31
Motor & Switch Box _____	32
<b>V. ACCESSORIES, OPTIONAL PARTS &amp; MACHINE SPECIFICATIONS</b>	
Belts & Accessories _____	33
Top Mount Table Top (optional) _____	34
Machine Specifications, Accessories & Needles _____	35
<b>VI. INDEX</b> _____	36-43
<b>VII. PARTS BOOK MODEL K150CT</b>	

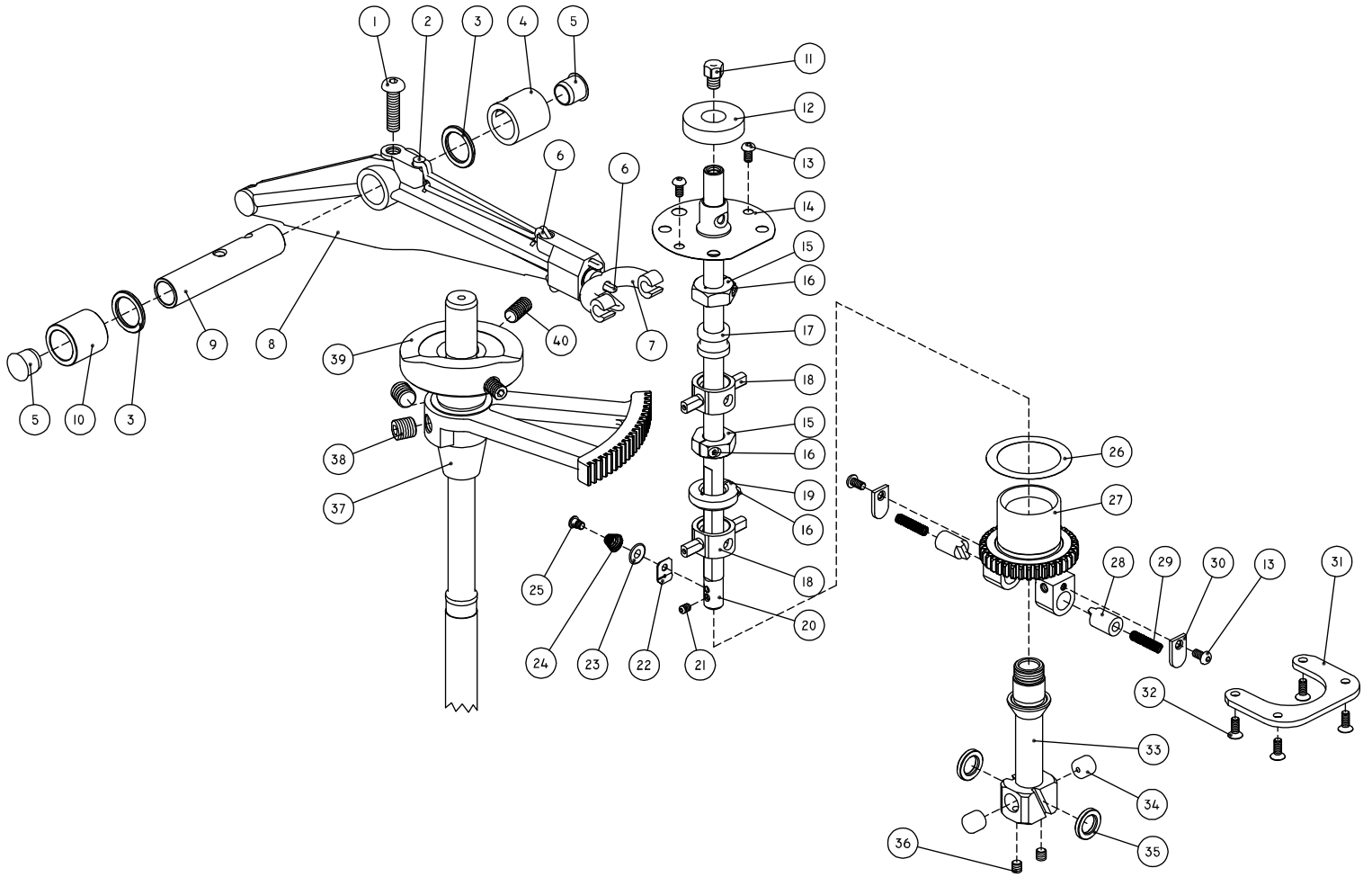


THREAD TAKE-UP, LOOPER & SPREADER DRIVES

Detail	Part Number	Description	Detail	Part Number	Description	Detail	Part Number	Description
1	100-300-024	Cylinder head Screw	9	111-098-020	Head Cam & -Shaft Assembly			
2	100-100-026	Set Screw			Includes			
3	111-139-020	Take-Up Cam Assembly	8	111-061-000	Stitch Roller # 000	} Two Used		
		Includes		111-061-001	Stitch Roller # 001			
22	111-024-000	Thread Take-Up Roller # 000		111-061-002	Stitch Roller # 002			
	111-024-001	Thread Take-Up Roller # 001		111-061-003	Stitch Roller # 003			
	111-024-002	Thread Take-Up Roller # 002		111-061-004	Stitch Roller # 004			
	111-024-003	Thread Take-Up Roller # 003		111-061-005	Stitch Roller # 005			
	111-024-004	Thread Take-Up Roller # 004		111-061-006	Stitch Roller # 006			
	111-024-005	Thread Take-Up Roller # 005		111-061-007	Stitch Roller # 007			
		} One Used		111-061-008	Stitch Roller # 008			
4	111-023-020	Thread Take Up-Lever Assembly	10	111-036-000	Looper Timing Core			
		Includes	11	100-300-014	Sunk head Screw			
5	100-600-026	Ceramic Bushing	12	100-100-037	Adjusting Screw			
6	111-077-000	Pivot Stud	13	111-082-020	Looper Cam Follower Assembly			
7	111-081-020	Spreader Cam Follower Assembly	14	100-300-066	Sunk head Screw			
			15	111-135-000	Pivot Stud			
			16	111-032-020	Spreader Link Assembly			
			17	111-138-000	Locking Nut			
			18	111-034-000	Adjusting Shoulder Screw			
			19	111-033-020	Looper Link Assembly			
			20	111-038-000	Shoulder Bushing			
			21	111-136-000	Screw			

NEEDLE BAR DRIVE & -TURNING

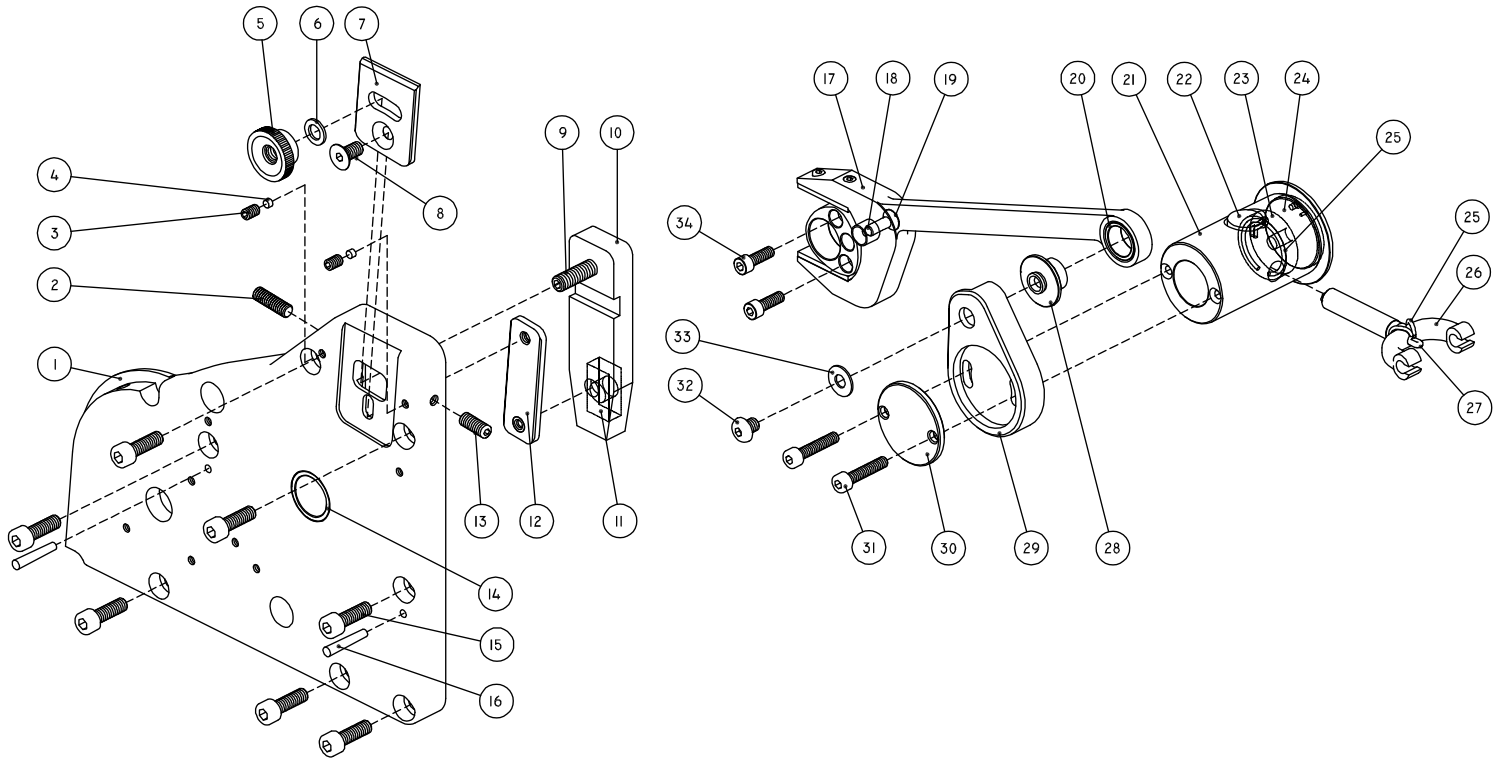
K150- 03 -2010-10



NEEDLE BAR DRIVE & -TURNING

K150-03-2010-10

Detail	Part Number	Description	Detail	Part Number	Description	Detail	Part Number	Description
1	100-300-019	Dome head Screw	19	111-069-120	Adjusting Nut Assembly	38	100-100-021	Set Screw
3	111-041-100	Spacer Ring		Includes		39	111-220-000	Thread Draw Off Cam
4	111-052-000	Bronze Bushing, tension release	16	100-300-012	Cylinder head Screw	40	100-100-019	Set Screw
5	100-500-001	Cover	20	111-013-020	Needle Bar Assembly			
7	111-020-020	Stitch Yoke Assembly	21	100-100-004	Set Screw			
	Includes		22	111-005-000	Top Thread Guide Plate			
6	SEE PAGE 33, DETAIL 12		23	111-007-000	Tension Disc, needle bar			
8	111-080-020	Stitch Lever Assembly	24	100-800-009	Spring -(compression)			
	Includes		25	111-004-100	Shoulder Screw			
2	100-500-028	Oil Felt	26	111-018-000	Shim			
6	SEE PAGE 33, DETAIL 12		27	111-010-000	Needle Bar Gear			
9	111-189-000	Stitch Lever Shaft	28	111-009-000	Stitch Bite Guide			
10	100-600-008	Bronze Bushing	29	100-800-029	Spring -(compression)			
11	111-015-000	Needle Bar Thread Guide	30	111-008-000	Lock Plate			
12	100-500-030	Oil Felt	31	111-214-000	Lock Plate, needle bar gear			
13	100-100-011	Dome Head Screw	32	100-300-021	Sunk head Screw			
14	111-075-020	Upper Needle Bar Guide Assembly	33	111-012-100	Vibrator Block			
15	111-059-020	Clamp Nut	34	111-011-000	Needle Bar Button			
	Includes		35	111-134-000	Spacer Ring #000			
16	100-300-012	Cylinder head Screw		111-134-001	Spacer Ring #001			} Two Used
17	111-040-000	Spacer Bushing		111-134-002	Spacer Ring #002			
18	111-016-000	Gimbal		111-134-003	Spacer Ring #003			
			36	100-100-022	Set Screw			
			37	111-049-000	Upper Sector Gear			

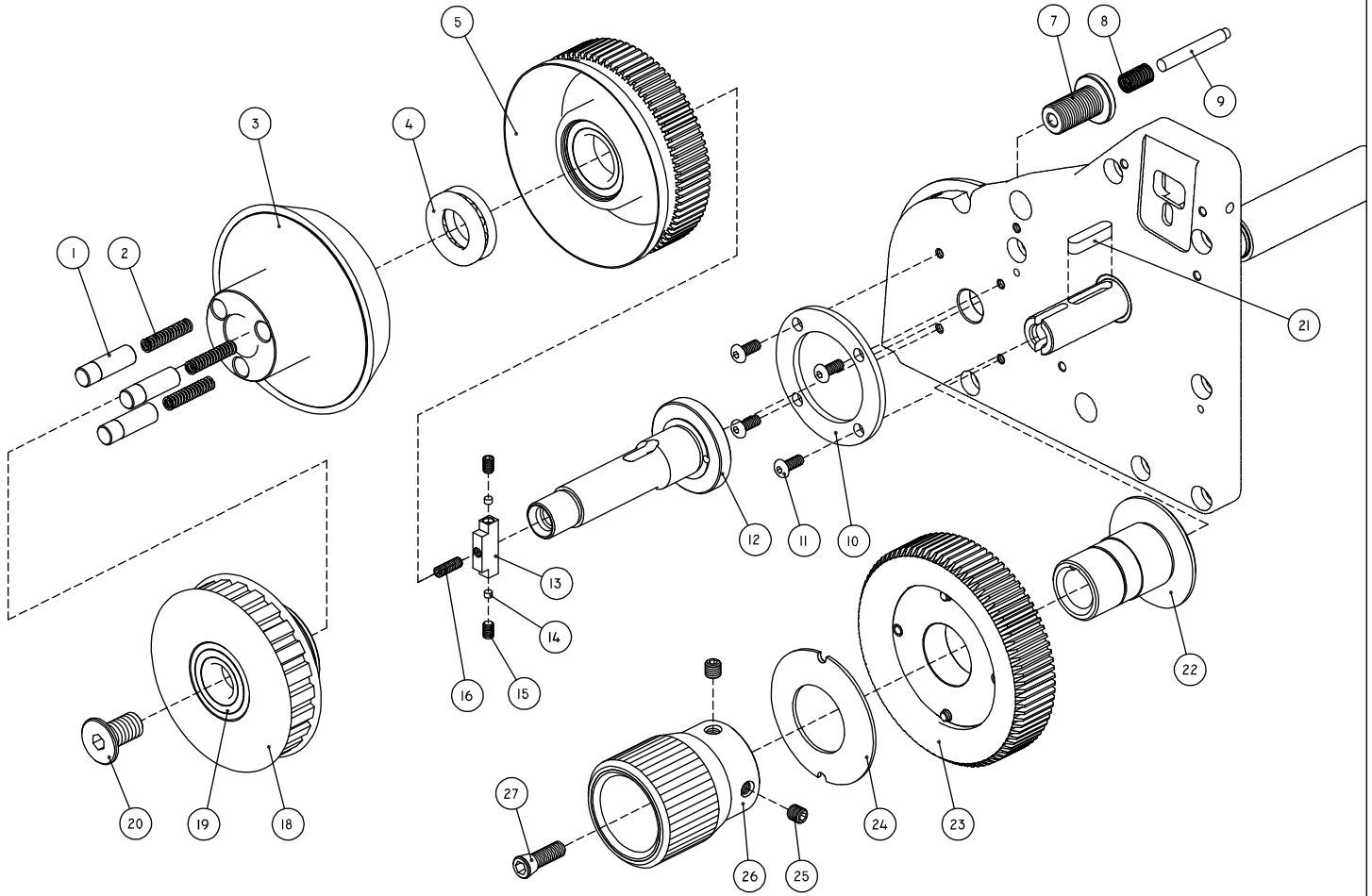


STITCH BITE

Detail	Part Number	Description	Detail	Part Number	Description	Detail	Part Number	Description
1	111-128-020	Side Plate Assembly	20	111-131-000	Bronze Bushing			
	Includes		21	111-078-020	Vibrator Barrel Assembly			
14	100-600-031	Bonze Bushing		Includes				
2	100-100-046	Set Screw	22	100-500-005	Oil Felt			
3	100-100-034	Set Screw	23	100-500-004	Oil Felt			
4	100-400-035	Nylon Pad	24	111-169-000	Glass Cover			
5	100-200-007	Thumb Nut	25	SEE PAGE 33, DETAIL 13				
6	100-400-002	Washer	26	111-017-020	Vibrator Yoke Assembly			
7	111-113-000	Selector Adjusting Plate CB/CA		Includes				
8	100-300-051	Sunk head Screw	27	SEE PAGE 33, DETAIL 12				
10	111-115-020	Bite Adjusting Slide Assembly	28	111-120-000	Shoulder Bushing			
	Includes		29	111-119-000	Stitch Vibrating Crank			
9	100-100-005	Set Screw	30	111-121-000	Adjusting Plate			
11	111-116-000	Slide Block #000	31	100-300-024	Cylinder head Screw			
	111-116-001	Slide Block #001	32	100-300-013	Dome head Screw			
	111-116-002	Slide Block #002	33	100-400-017	Washer			
			34	111-233-000	Screw			
12	111-117-020	Adjusting Plate Assembly						
13	100-100-027	Set Screw						
15	100-100-009	Cylinder head Screw						
16	100-600-034	Location Pin, tapered						
17	111-130-020	Stitch Bite Lever Assembly						
	Includes							
18	111-132-000	Shoulder Bushing						
19	100-300-068	Sunk head Screw						

CLUTCH DRIVE

K150- 05 -2010-10



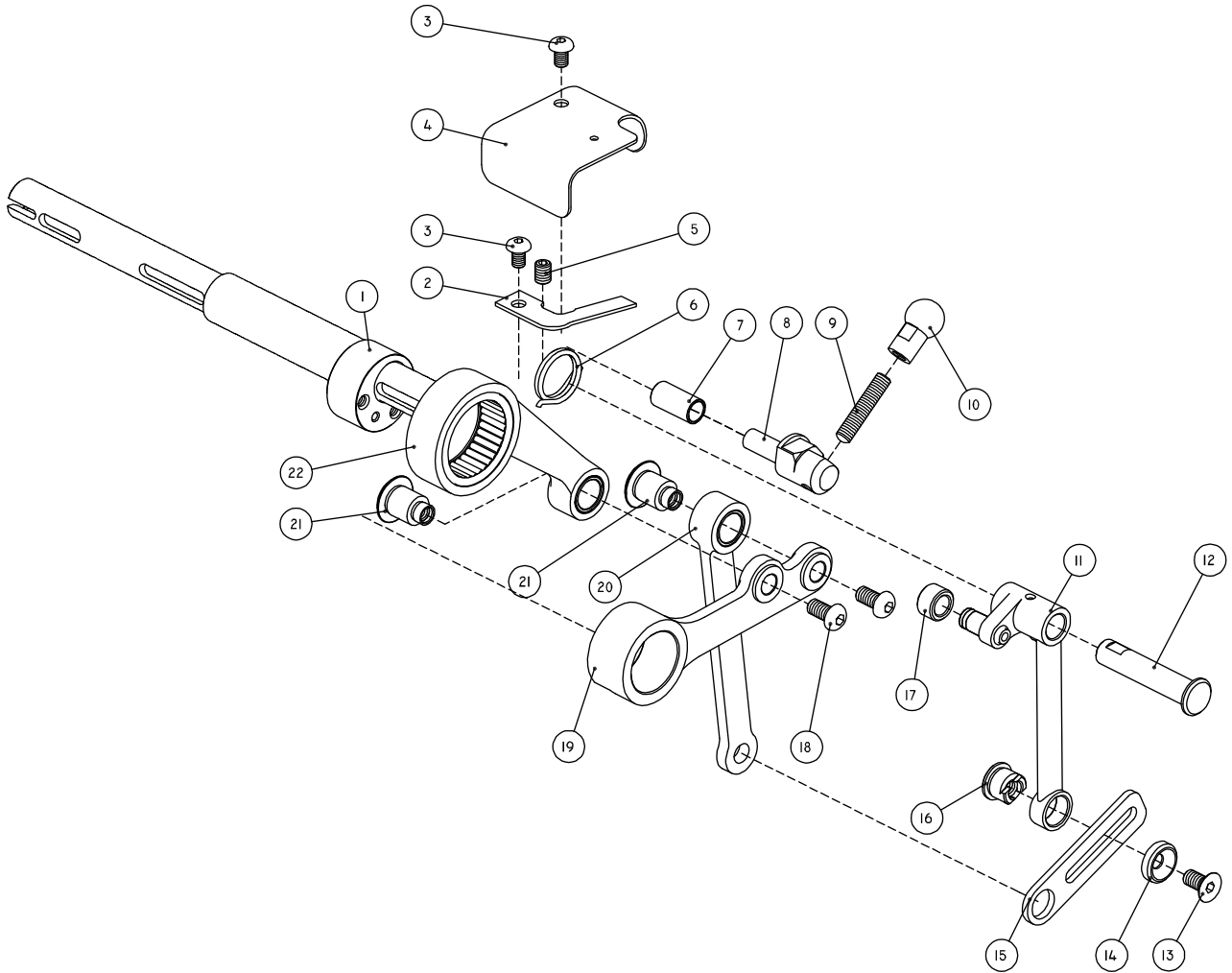
CLUTCH DRIVE

K150-05-2010-10

Detail	Part Number	Description	Detail	Part Number	Description	Detail	Part Number	Description
1	111-124-000	Drive Pin	23	111-104-020	Nylon Gear Assembly			
2	100-800-025	Spring -(compression)	24	111-084-000	Disk Spring Washer			
3	111-125-020	Outer Clutch Cone Assembly	25	100-100-001	Screw			
4	100-700-003	Thrust Bearing	26	111-122-020	Handwheel Assembly			
5	111-108-020	Flywheel Gear Assembly	27	111-123-000	Pinch Screw			
7	111-239-100	Shoulder Screw						
8	100-800-022	Spring -(compression)						
9	111-170-100	Push Rod						
10	111-109-000	Alignment Ring						
11	100-300-003	Dome head Screw						
12	111-106-000	Drive Shaft						
13	111-133-000	Actuating Key						
14	100-400-035	Nylon Pad						
15	100-100-034	Dome head Screw						
16	100-100-042	Cylinder head Screw						
18	111-112-020	Drive Pulley Assembly - HEAD Includes						
19	100-700-002	Ball Bearing						
20	111-238-000	Screw						
21	111-114-000	Key						
22	111-103-000	Stitch Drive Bushing						

# STITCH REGULATOR

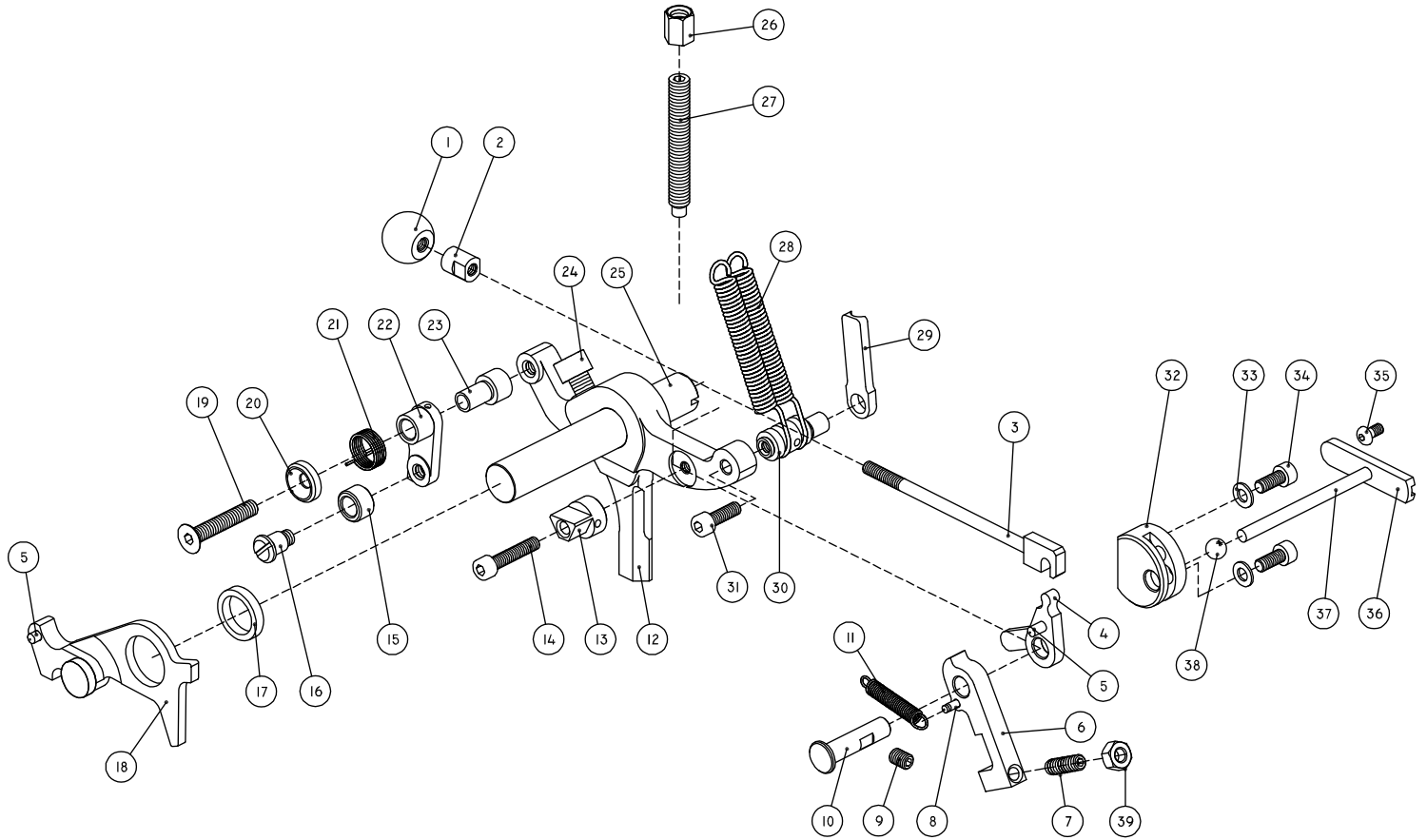
K150-06 -2010-10



# STITCH REGULATOR

K150-06-2004-01

Detail	Part Number	Description	Detail	Part Number	Description	Detail	Part Number	Description
1	111-088-000	Feed Cam #000	} One Used	22 111-086-020 Stitch Feed Lever Assembly	optional 1 111-083-000 Small Feed Cam #000 111-083-001 Small Feed Cam #001 111-083-002 Small Feed Cam #002 111-083-003 Small Feed Cam #003 } One Used			
	111-088-001	Feed Cam #001						
	111-088-002	Feed Cam #002						
	111-088-003	Feed Cam #003						
2	100-800-015	Leaf - Spring						
3	100-300-087	Dome head Screw						
4	111-224-000	Stitch feed Cover						
5	100-100-026	Set Screw						
6	100-800-016	Spring -(torsion)						
7	100-600-041	Bronze Bushing						
8	111-212-000	Shifting Stud, stitches eye / no eye						
9	111-223-000	Adjusting Screw						
10	111-211-000	Knob						
11	111-072-020	Stitch Link Assembly						
12	111-209-000	Eye / No Eye Stud						
13	100-300-011	Sunk head Screw						
14	111-054-000	Washer						
15	113-047-000	Link						
16	111-053-000	Threaded Bushing						
17	111-061-000	Stitch Roller #000						
18	100-300-034	Dome head Screw						
19	111-087-000	Stitch Feed Arm						
20	111-091-020	Stitch Feed Link Assembly						
21	111-093-000	Shoulder Bushing						

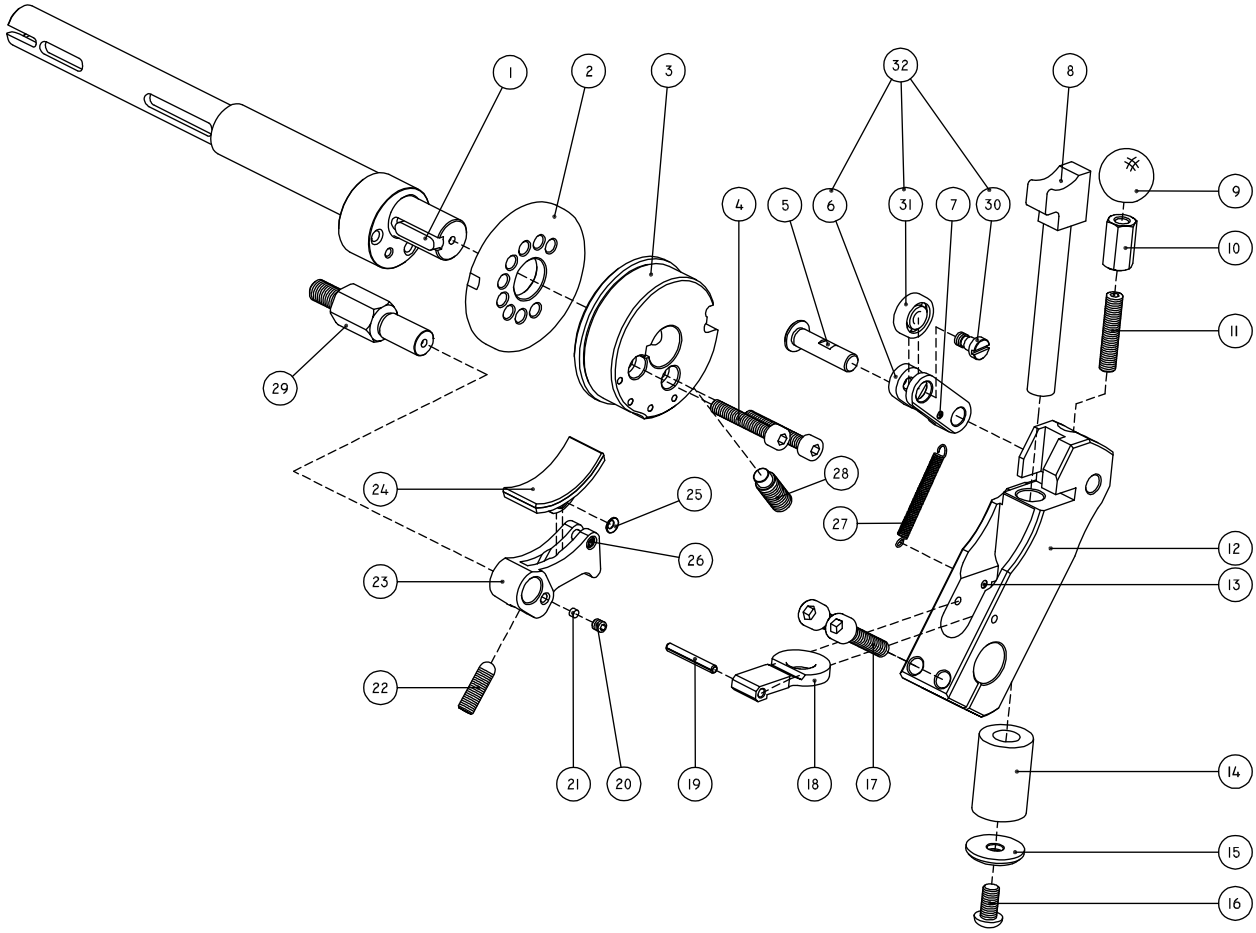


SAFETY STOP, THREE FORKED LEVER

Detail	Part Number	Description	Detail	Part Number	Description	Detail	Part Number	Description
1	100-200-010	Knob	20	111-234-000	Washer			
2	111-219-000	Lock Nut Spacer	21	100-800-034	Spring -(torsion)			
3	111-143-020	Actuator Shaft Assembly	22	111-060-000	Latch			
4	111-140-020	Actuator Assembly	23	111-065-000	Shoulder Bushing			
	Includes		24	100-300-028	Cylinder head Screw			
5	100-600-010	Actuator Pin, plain type	25	111-095-000	Shaft, three forked Lever			
6	111-062-020	Trip Lever Assembly	26	111-073-000	Locking Nut			
	Includes		27	100-100-045	Adjusting Screw			
7	111-223-000	Adjusting Screw	28	100-800-001	Spring -(tension)			
8	100-600-020	Grooved Anchor Pin (spring)	29	111-085-000	Actuating Plate			
39	100-200-003	Nut	30	111-099-000	Eccentric			
9	100-100-026	Set Screw	31	100-100-009	Cylinder head Screw			
10	111-141-100	Pivot Stud	32	111-067-100	Bearing Guide			
11	100-800-003	Spring -(tension)	33	100-400-006	Washer			
12	111-055-100	Three Forked Lever	34	100-100-008	Cylinder head Screw			
13	111-057-000	Stop Bolt Catch	35	100-100-003	Dome head Screw			
14	100-300-081	Cylinder head Screw	36	111-168-000	Actuating Plate			
15	111-061-000	Stitch Roller #000	37	111-173-000	Push Rod			
16	111-094-000	Shoulder Screw	38	100-700-009	Ball			
17	111-096-000	Thrust Spacer	39	100-200-003	Nut			
18	111-058-020	Lever Assembly						
	Includes							
5	100-600-010	Actuator Pin, plain type						
19	100-300-036	Sunk head Screw						

STOP BOLT

K150- 08 -2010-10



STOP BOLT

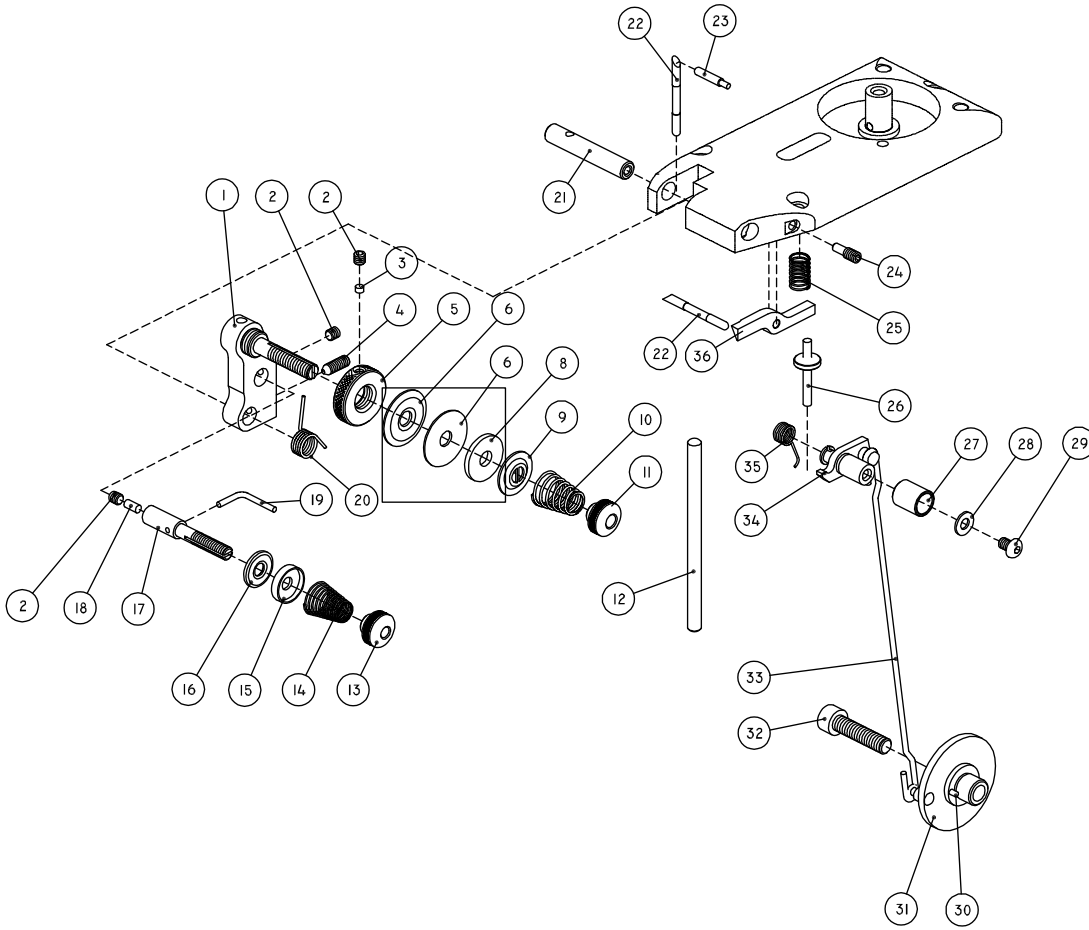
K150-08-2010-10

Detail	Part Number	Description	Detail	Part Number	Description	Detail	Part Number	Description
1	111-165-000	Key	23	111-025-020	Brake Actuator Assembly			
2	111-048-100	Stop Ring			Includes			
3	111-110-100	Stop Wheel	26	100-600-051	Keeper Pin, spring type			
4	100-300-037	Cylinder head Screw	24	111-026-020	Brake Shoe Assembly			
5	111-218-000	Pivot Pin	25	100-400-028	Washer			
8	111-079-000	Stop Bolt	27	100-800-024	Spring -(tension)			
9	100-200-011	Ball Knob	28	111-240-000	Set Screw			
10	100-200-013	Nut	29	111-232-300	Extension Bolt			
11	100-100-015	Set Screw	32	111-090-220	Stop Bolt Latch Set			
12	111-089-120	Stop Bolt Holder Assembly			Includes			
13	100-600-024	Grooved Anchor Pin (spring)	30	111-092-100	Bearing Screw			
14	100-600-050	Stop Bolt Rubber	31	100-700-000	Ball Bearing			
15	111-149-000	Washer	6	111-090-230	Stop Bolt Latch Assembly			
16	100-300-034	Dome head Screw			Includes			
17	100-300-035	Cylinder head Screw	7	100-600-022	Grooved Anchor Pin (spring)			
18	111-031-000	Brake Actuator Plate						
19	100-600-052	Hinge Pin, spring type						
20	100-100-022	Set Screw						
21	100-400-035	Nylon Pad						
22	111-064-000	Adjusting Screw						

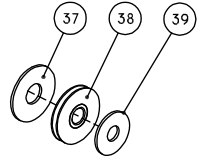


TOP THREAD TENSION

K150- 09 -2010-10



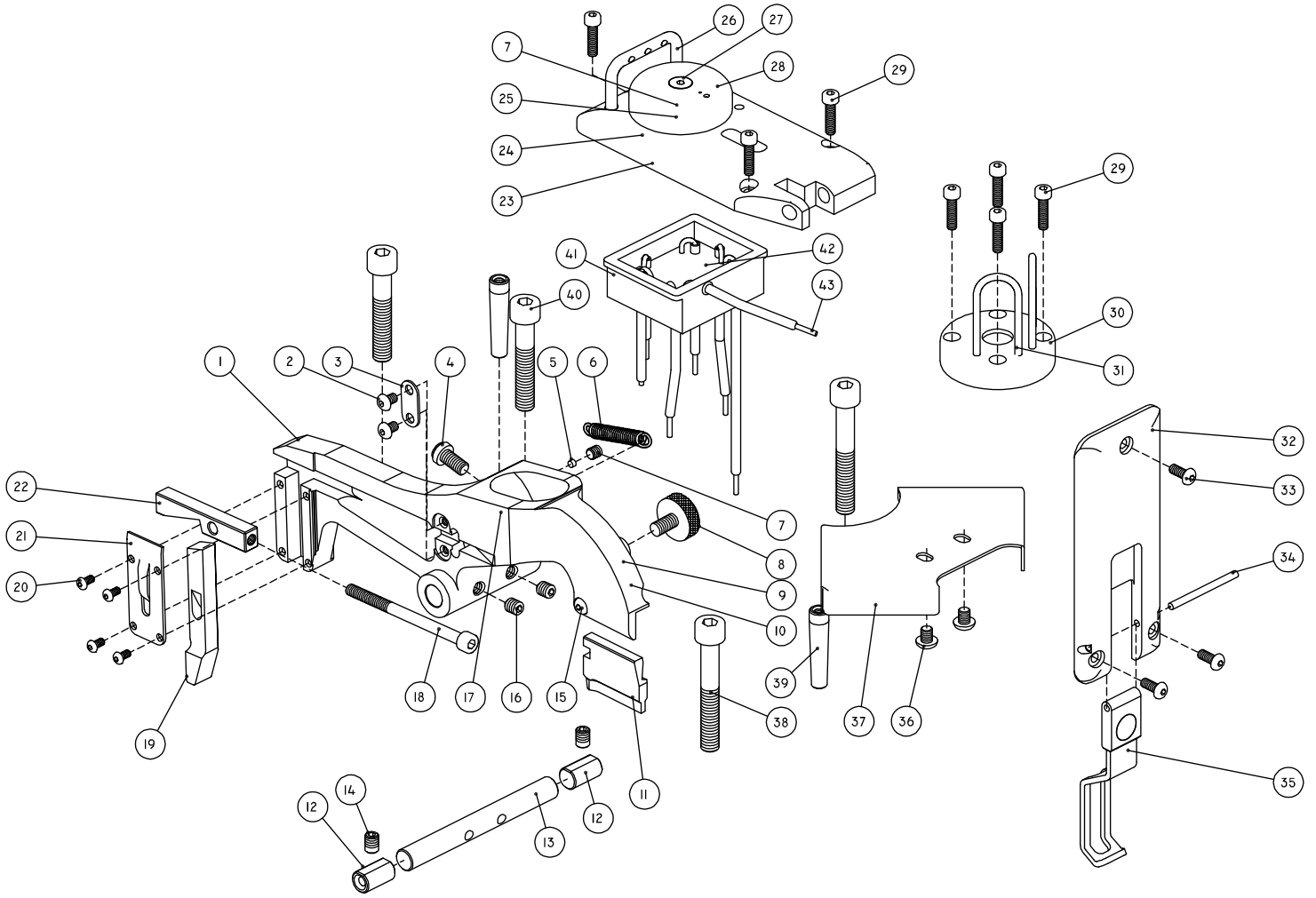
SPLIT TENSION



TOP THREAD TENSION

K150-09-2010-10

Detail	Part Number	Description	Detail	Part Number	Description	Detail	Part Number	Description
1	111-182-020	Tension Bracket Assembly	27	100-600-029	Bronze Bushing			
2	100-100-022	Set Screw	28	114-021-000	Washer			
3	100-400-035	Nylon Pad	29	100-300-089	Dome head Screw			optional
4	111-203-000	Lock Screw				37	111-229-000	Felt Washer
5	111-208-000	Tension Release Adjusting Washer	31	111-175-020	Tension Connector Assembly			
6	111-191-000	Tension Disk			Includes	38	111-221-020	Tension Wheel Assembly
8	111-192-000	Rubber Washer	30	100-600-012	Transfer Pin, taper grooved, half			
9	111-002-000	Tension Release Washer	32	100-300-035	Cylinder head Screw	39	111-228-000	Felt Washer
10	100-800-037	Spring -(compression)	33	111-174-000	Tension Release Wire			
11	111-207-000	Knurled Nut	34	111-181-020	Tension Release Link Assembly			
12	111-201-000	Push Rod, tension release	35	100-800-014	Spring -(torsion)			
13	111-206-000	Knurled Nut	36	111-178-000	Actuator			
14	100-800-036	Spring -(compression)						
15	111-184-000	Tension Disk (outer), top thread						
16	111-183-000	Tension Disk (inner), top thread						
17	111-185-000	Tension Stud						
18	100-600-035	Pad Pin, plain type						
19	111-204-000	Top Thread Guide Rod						
20	100-800-035	Spring -(torsion)						
21	111-202-000	Tension Bracket Stud						
22	111-179-000	Tension Release Pin						
23	111-180-000	Tension Release Pin						
24	112-046-100	Pivot Screw						
25	100-800-022	Spring -(compression)						
26	111-177-100	Tension Release Pin						

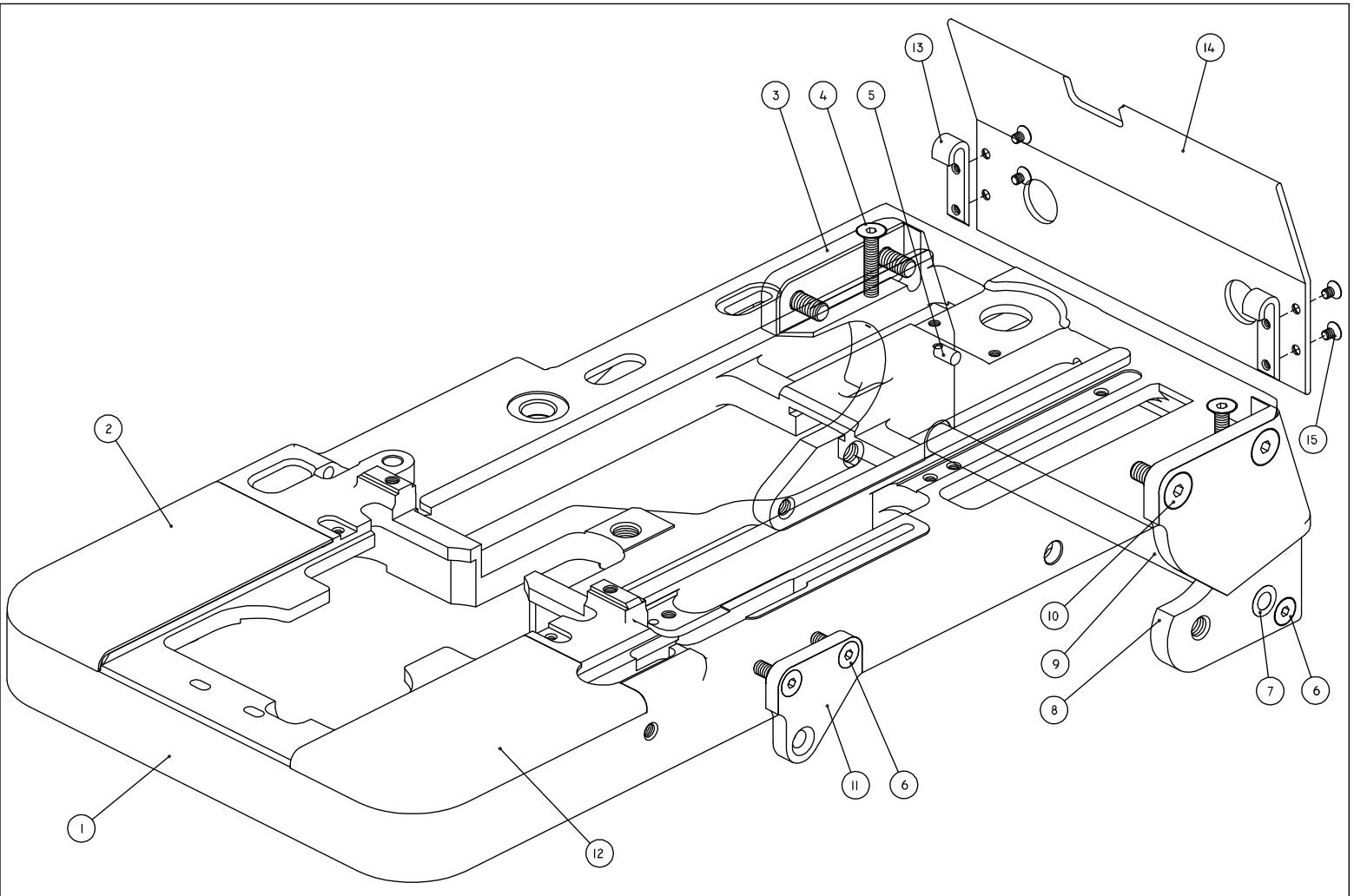


CUTTING LEVER, FINGER GUARD, MAIN OIL RESERVIOR, TOP HEAD COVER

Detail	Part Number	Description	Detail	Part Number	Description	Detail	Part Number	Description
1	111-039-120	Cutting Lever Assembly	11	111-163-000	Cutting Block, 32mm, no EYE	35	111-074-020	Finger Guard Assembly
	Includes		12	111-047-000	Alignment Spacer	36	100-300-013	Dome head Screw
9	111-070-100	Clamp, cutting block	13	111-043-000	Cutting Lever Shaft	37	111-068-000	Upper Sector-gear Shield
10	100-600-058	Hinge Pin, spring type	14	100-100-001	Set Screw	38	100-300-015	Cylinder head Screw
15	100-100-003	Dome head Screw	16	100-100-032	Set Screw	39	111-066-000	Tapered Dowel Pin
17	100-600-019	Grooved Anchor Pin, spring	18	100-300-092	Cylinder head Screw, adjusting	40	100-300-065	Cylinder head Screw
2	100-300-023	Dome head Screw	19	111-044-000	Cutting Cam Follower	41	111-194-020	Oil Manifold Assembly - HEAD
3	111-148-100	Lock Plate	20	100-100-011	Dome head Screw		Includes	
4	111-050-020	Adjusting Screw Assembly	21	111-046-000	Cover Plate	42	111-227-000	Oil Felt
5	100-400-035	Nylon Pad	22	111-045-100	Pressure Bar	43	SEE PAGE 33, DETAIL 12	
6	100-800-004	Spring -(tension)	23	111-193-120	Head Cover Assembly			
7	100-100-025	Set Screw		Includes				
8	111-037-100	Thumb Screw, knurled	24	100-500-003	O-Ring			
11	111-150-000	Cutting Block, 13mm, with EYE	25	100-500-037	Oil Felt			
	111-151-000	Cutting Block, 16mm, with EYE	7	100-100-025	Set Screw			
	111-152-000	Cutting Block, 19mm, with EYE	26	111-190-000	Top Thread Guide Bow			
	111-153-000	Cutting Block, 22mm, with EYE	27	100-300-006	Dome head Screw			
	111-154-000	Cutting Block, 25mm, with EYE	28	111-167-100	Oil Reservoir Cover			
	111-155-000	Cutting Block, 28mm, with EYE	29	100-300-083	Cylinder head Screw			
	111-156-000	Cutting Block, 32mm, with EYE	30	111-006-020	Cap Assembly			
	111-157-000	Cutting Block, 13mm, no EYE		Includes				
	111-158-000	Cutting Block, 16mm, no EYE	31	111-215-000	Needle Bar Guard			
	111-159-000	Cutting Block, 19mm, no EYE						
	111-160-000	Cutting Block, 22mm, no EYE	32	111-213-000	Front Cover			
	111-161-000	Cutting Block, 25mm, no EYE	33	100-300-088	Dome head Screw			
	111-162-000	Cutting Block, 28mm, no EYE	34	100-600-014	Hinge Pin, plain type			

BEDPLATE, BACK COVER

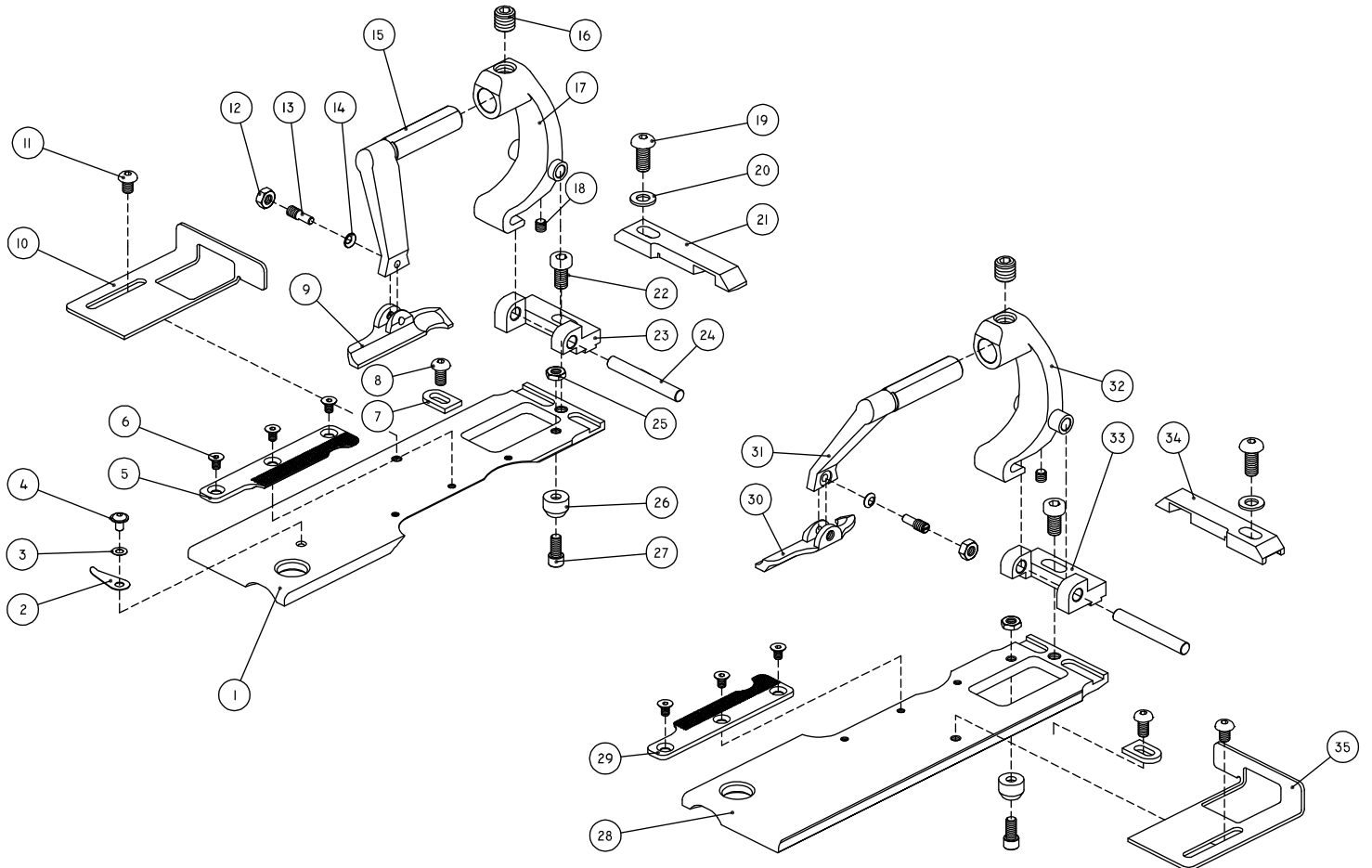
K150- 11 -2010-10



BEDPLATE, BACK COVER

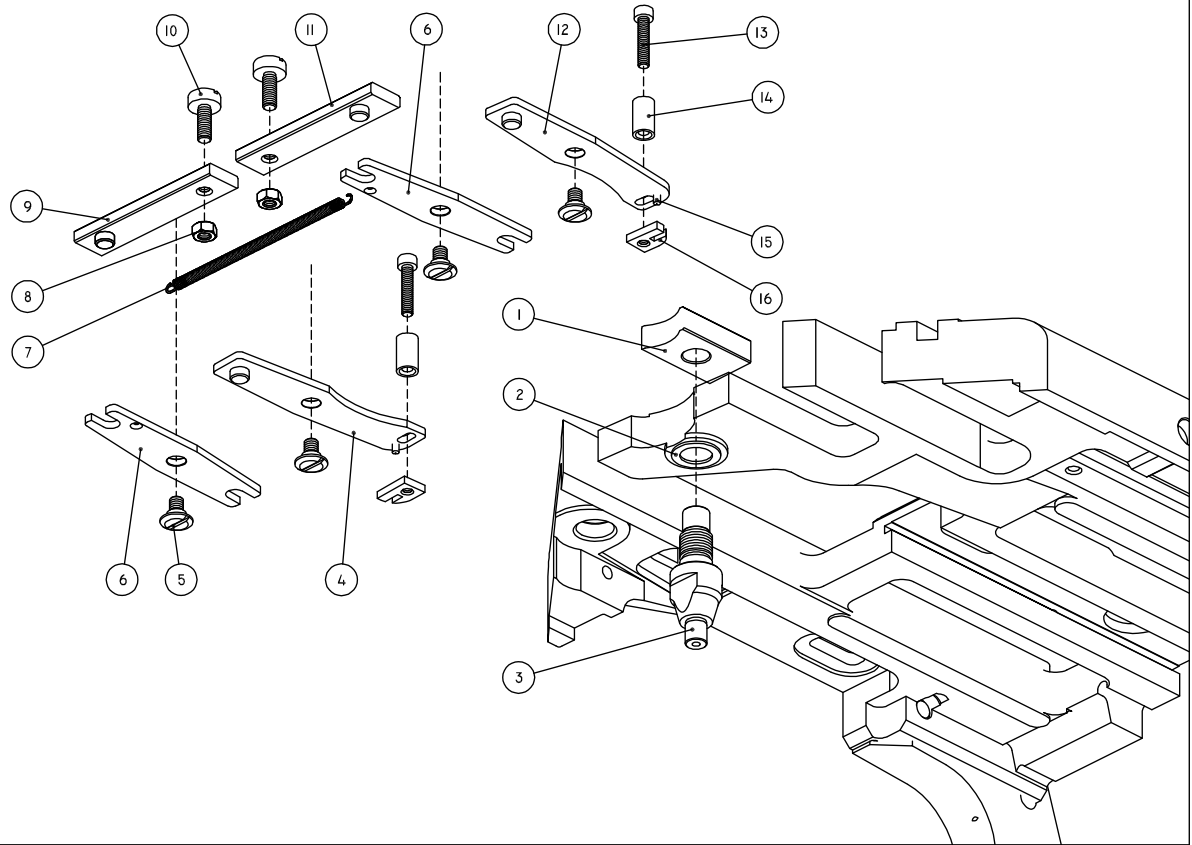
K150-11-2010-10

Detail	Part Number	Description	Detail	Part Number	Description	Detail	Part Number	Description
1	112-000-120	BEDPLATE Assembly						
	Includes							
2	112-003-000	Bedplate Cover - Left						
3	112-102-120	Hinge Bracket Assembly - Left						
4	100-300-073	Sunk head Screw						
6	100-300-014	Sunk head Screw						
7	100-400-036	Spacer						
8	112-103-120	Hinge Bracket Assembly - Right						
9	112-145-000	Stabilizer Shaft						
10	100-300-043	Sunk head Screw						
11	112-141-000	Gas Spring Bracket						
12	112-002-000	Bedplate Cover - Right						
3	112-102-120	Hinge Bracket Assembly - Left						
	Includes							
5	100-600-059	Support Pin, spiral spring type						
8	112-103-120	Hinge Bracket Assembly - Right						
	Includes							
5	100-600-059	Support Pin, spiral spring type						
13	112-101-100	Back Cover Hook						
14	112-100-100	Back Cover						
15	100-300-070	Sunk head Screw						



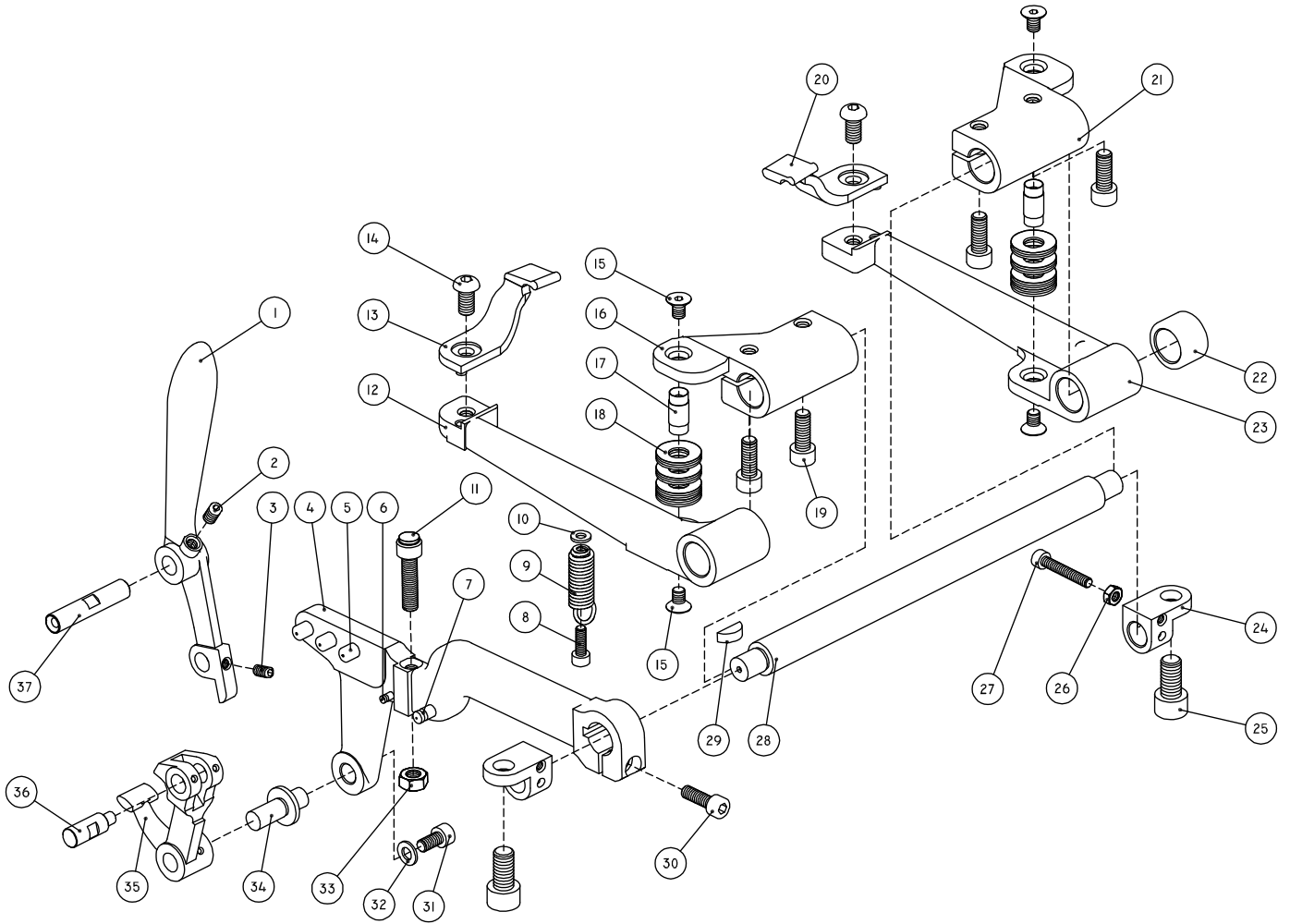
CLAMP ARMS, CLAMP FEET, CLAMP PLATES

Detail	Part Number	Description	Detail	Part Number	Description	Detail	Part Number	Description
1	112-040-100	Clamp Plate - Left	24	112-106-000	Pivot Pin			
2	112-047-000	Thread Retainer	25	100-200-004	Nut			
3	100-400-044	Washer	26	112-045-000	Clamp Plate Spreading Roller			
4	100-300-102	Dome head Screw	27	112-073-000	Clamp Plate Spreading Stud			
5	112-041-000	Clamp Mat - Left	28	112-035-000	Clamp Plate - Right			
6	100-300-080	Sunk head Screw	29	112-036-000	Clamp Mat - Right			
7	112-028-000	Stop Plate	30	112-038-000	Clamp Foot - Right			
8	100-100-003	Sunk head Screw		112-038-001	Clamp Foot - Right - High Rise			
9	112-042-000	Clamp foot - Left		see NOTE:				
	112-042-001	Clamp foot - Left - High Rise						
	see NOTE:		31	112-105-000	Clamp Arm - Right			
10	112-050-000	Cloth Guide - Left	32	112-039-000	Clamp Arm Holder - Right			
11	100-300-089	Dome head Screw	33	112-037-000	Clamp Block - Right			
12	100-200-008	Nut	34	112-074-000	Clamp Hold Down - Right			
13	112-046-100	Pivot Screw	35	112-049-000	Cloth Guide - Right			
14	100-400-028	Washer						
15	112-104-000	Clamp Arm - Left						
16	100-100-024	Set Screw						
17	112-043-000	Clamp Arm Holder - Left						
18	100-100-022	Set Screw						
19	100-300-039	Dome head Screw						
20	100-400-006	Washer						
21	112-075-000	Clamp Hold Down - Left						
22	100-300-000	Cylinder head Screw (low)						
23	112-070-000	Clamp Block - Left						
			NOTE:		THE HIGH RISE CLAMP FOOT IS DESIGNED FOR WAISTBANDS			



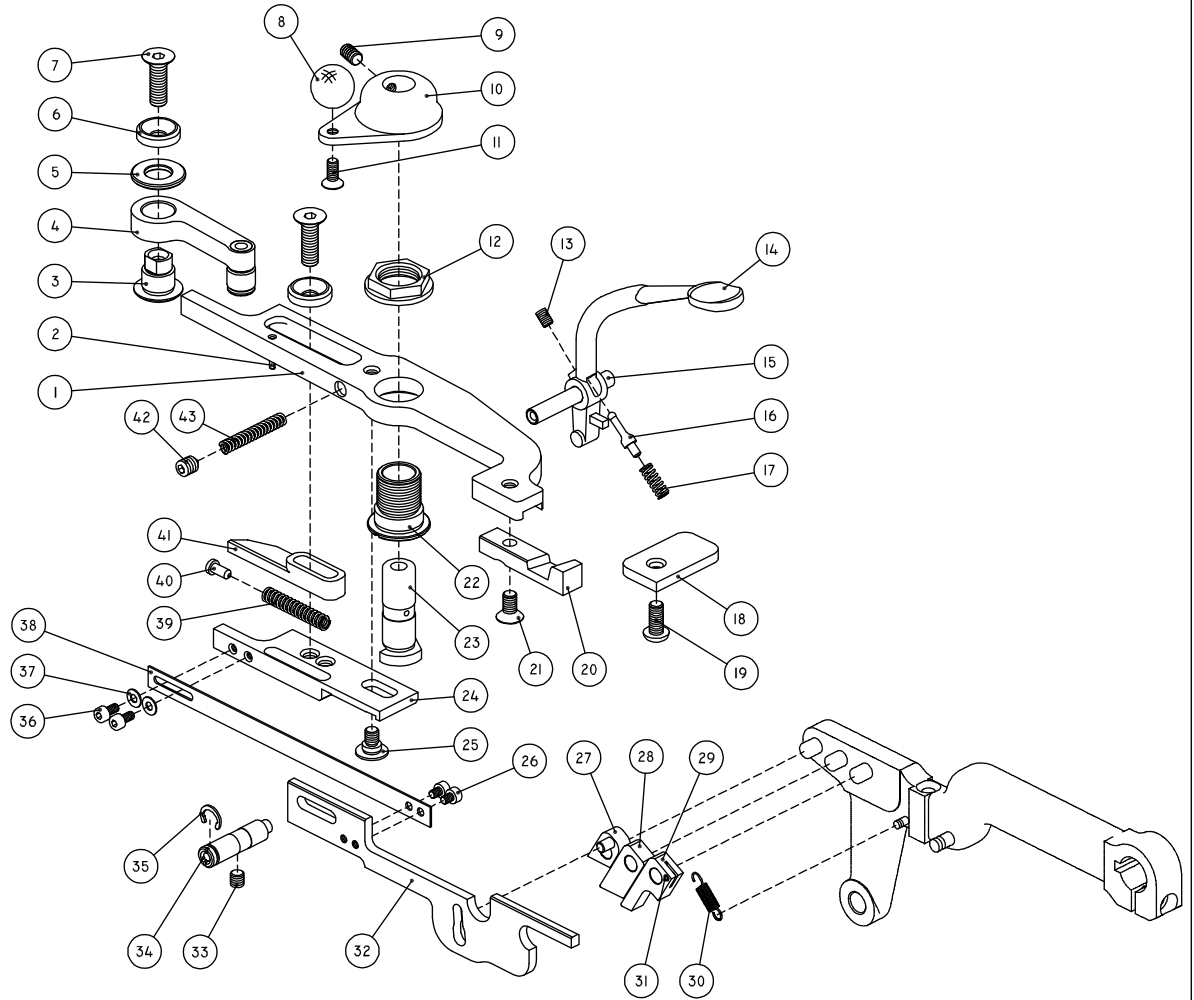
BEDPLATE STUD & CLAMP SPREADING

Detail	Part Number	Description	Detail	Part Number	Description	Detail	Part Number	Description
1	112-021-000	Guide Block #000						
	112-021-001	Guide Block #001						
	112-021-002	Guide Block #002						
	112-021-003	Guide Block #003						
					One Used			
2	100-400-008	Washer						
3	112-006-000	Bedplate Stud						
4	112-032-020	Rear Link Assembly - Left						
		Includes						
15	100-600-032	Keeper Pin, plain type						
5	112-134-000	Shoulder Screw						
6	112-031-000	Front Link						
7	100-800-008	Spring -(tension)						
8	100-200-002	Nut						
9	112-030-020	Slide Clamp Latch Assembly - Left						
10	112-135-000	Clamp Plate Spreading Screw						
11	112-029-020	Slide Clamp Latch Assembly - Right						
12	112-065-020	Rear Link Assembly - Right						
		Includes						
15	100-600-032	Keeper Pin, plain type						
13	100-300-008	Cylinder head Screw						
14	112-034-000	Bushing						
16	112-033-000	Locking Plate						



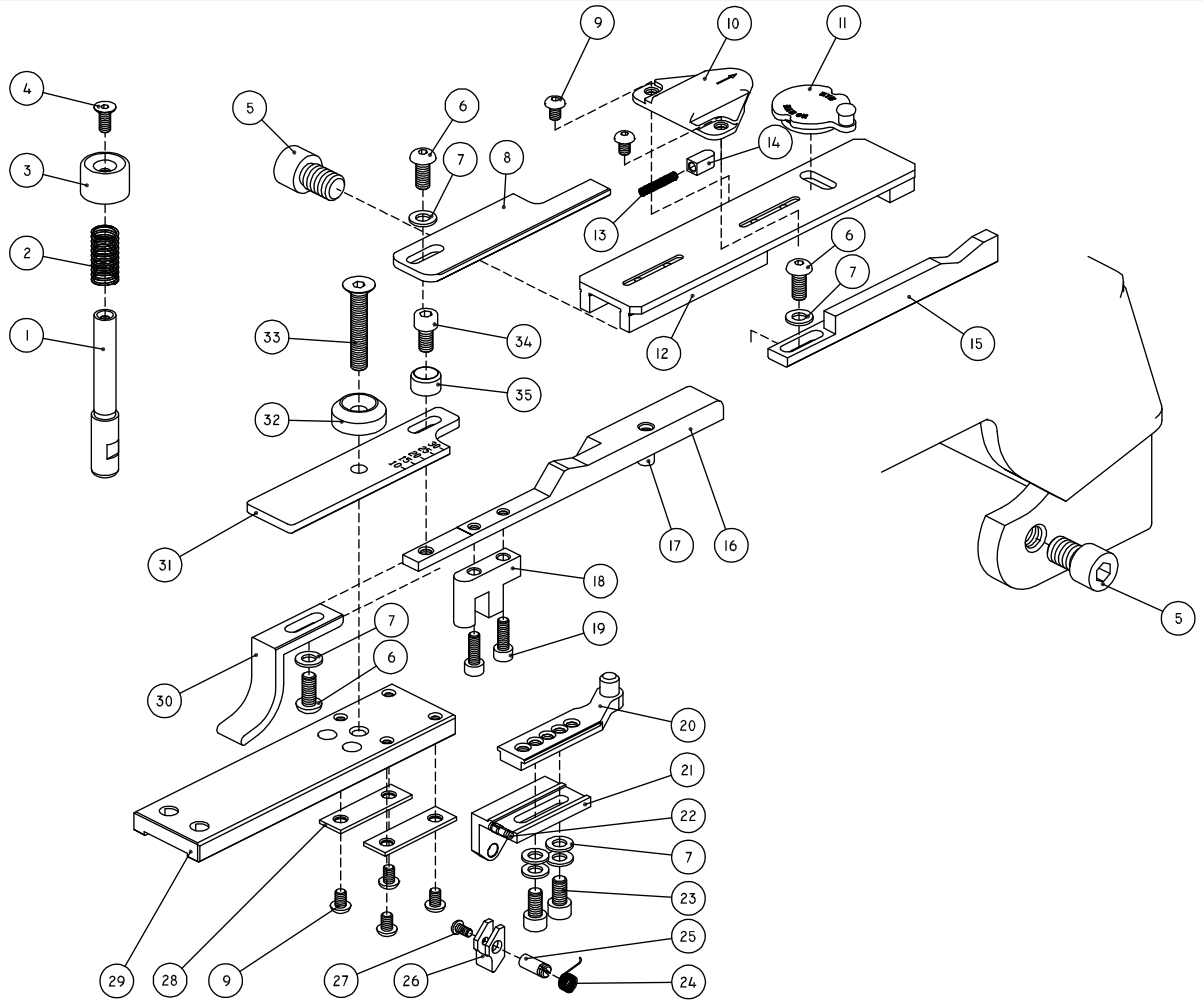
CLAMP PULL DOWN

Detail	Part Number	Description	Detail	Part Number	Description	Detail	Part Number	Description
1	112-017-000	Clamp Pull Down Handle	25	100-300-048	Cylinder head Screw			
2	100-100-012	Set Screw	26	100-200-008	Nut			
3	100-100-016	Set Screw	27	100-300-049	Cylinder head Screw			
4	112-024-020	Clamp Arm Pull Down Assembly	28	112-077-000	Clamp Pull Down Shaft			
	Includes		29	112-071-000	Key			
5	112-092-000	Pivot Pin	30	100-100-009	Cylinder head Screw			
6	100-600-020	Grooved Anchor Pin (spring)	31	100-300-010	Cylinder head Screw			
7	100-600-028	Grooved Anchor Pin (spring)	32	100-400-006	Washer			
8	100-100-014	Cylinder head Screw	33	100-200-003	Nut			
9	100-800-002	Spring -(tension)	34	112-022-000	Pivot Stud, toggle lever			
10	100-400-009	Washer	35	112-019-000	Toggle Lever			
11	112-142-020	Adjusting Screw Assembly	36	112-020-000	Pivot Stud			
12	112-080-000	Clamp Yoke - Left	37	112-018-000	Pivot Pin			
13	112-026-000	Clamp Pull Down - Left						
14	100-300-034	Dome head Screw						
15	100-100-007	Sunk head Screw						
16	112-082-000	Clamp Block Toggle - Left						
17	112-079-000	Threaded Spacer Bar						
18	100-400-005	Disk Spring - washer } Eight Used						
19	100-300-046	Cylinder head Screw						
20	112-025-000	Clamp Pull Down - Right						
21	112-083-000	Clamp Block Toggle - Right						
22	112-078-000	Spacing Collar						
23	112-081-000	Clamp Yoke - Right						
24	112-023-100	Bearing Block						



CUT BEFORE & CUT AFTER

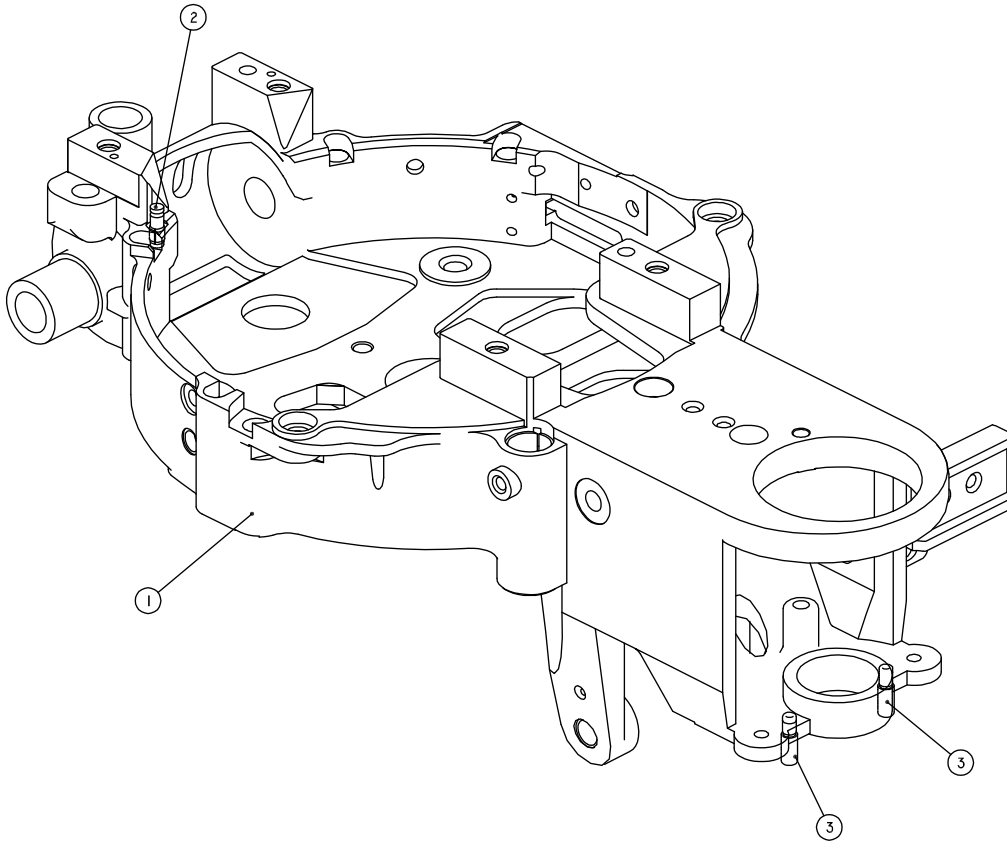
Detail	Part Number	Description	Detail	Part Number	Description	Detail	Part Number	Description
1	112-011-020	Switch Lever Assembly	26	100-300-038	Cylinder head Screw			
	Includes		27	112-088-020	CB / CA Switching Latch Assembly			
2	100-600-038	Pin, spring type	28	112-089-000	CB Unclamp Latch			
3	112-014-000	Stud	29	112-090-020	CB Unclamp Latch Assembly			
4	112-010-020	CB / CA Lever Assembly		Includes				
5	112-132-000	Washer	31	100-600-005	Anchor Pin, spring type			
6	111-054-000	Washer	30	100-800-032	Spring -(tension)			
7	100-300-014	Sunk head Screw	32	112-110-000	Switch Plate			
8	100-200-005	Knob	33	100-100-025	Set Screw			
9	100-100-012	Set Screw	34	112-112-000	Eccentric			
10	112-096-000	CB / CA Selector Arm	35	100-400-026	Clip			
11	100-100-013	Sunk head Screw	36	100-300-074	Cylinder head Screw			
12	112-094-000	Lock Nut	37	100-400-013	Washer			
13	100-100-034	Set Screw	38	112-111-000	Connector			
14	112-064-000	Starting Lever	39	100-800-027	Spring -(compression)			
15	112-066-000	Pivot Pin	40	114-012-000	Plunger			
16	112-013-000	Plunger	41	112-086-000	CB / CA Wedge			
17	100-800-007	Spring -(compression)	42	100-100-032	Set Screw			
18	112-109-000	Keeper Plate	43	100-800-006	Spring -(compression)			
19	100-300-039	Dome head Screw						
20	112-009-000	Trip						
21	100-300-051	Sunk head Screw						
22	112-093-000	Threaded Bearing Bushing						
23	112-095-000	Selector Shaft, CB / CA						
24	112-097-000	CB / CA Switch Plate						
25	112-134-000	Shoulder Screw						



BUTTONHOLE LENGTH & EYE CONTROL

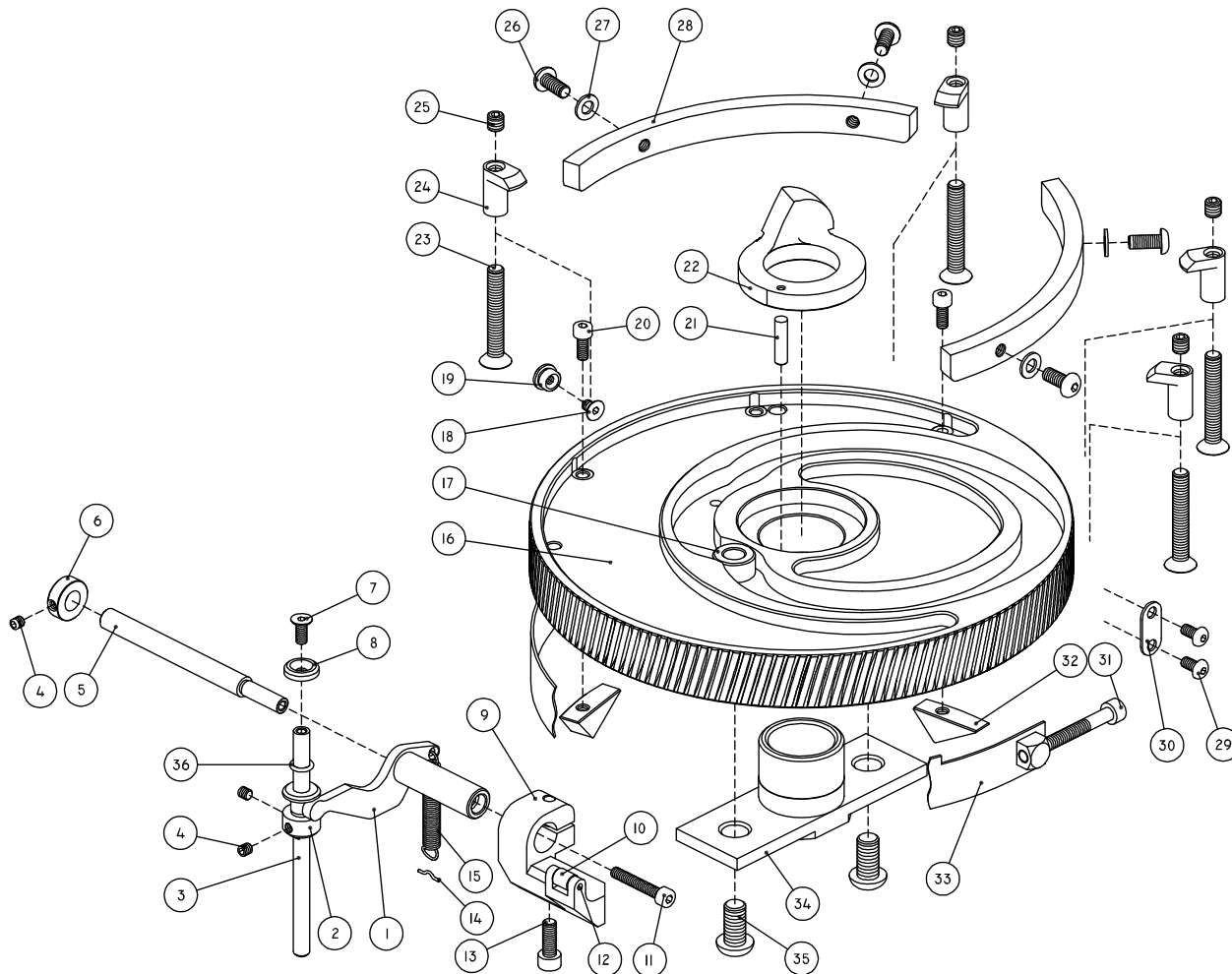
Detail	Part Number	Description	Detail	Part Number	Description	Detail	Part Number	Description
1	112-108-000	Plunger, unclamping safety	23	100-300-010	Cylinder head Screw			
2	100-800-033	Spring -(compression)	24	100-800-038	Spring -(torsion)			
3	112-107-000	Thumb Button	25	112-137-000	Pivot Pin			
4	100-100-013	Sunk head Screw	26	112-139-000	Latch			
5	112-005-000	Hinge Screw	27	100-100-011	Dome head Screw			
6	100-300-039	Dome head Screw	28	112-076-000	Link Plate			
7	100-400-006	Washer	29	112-055-000	Flybar Cam Plate			
8	112-052-000	Adjusting Plate	30	112-140-000	Timing Bracket, flybar pin			
9	100-300-023	Dome head Screw	31	112-054-000	Length Guide			
10	112-057-000	Eye /No Eye Cover	32	112-072-000	Washer			
11	112-056-000	Eye /No Eye Shifter	33	100-300-036	Sunk head Screw			
12	112-059-000	Guide Plate	34	100-300-010	Cylinder head Screw			
13	100-800-030	Spring -(compression)	35	112-015-000	Washer			
14	112-058-000	Plunger						
15	112-051-000	Stitch Takeout Wedge						
16	112-016-020	Length Gauge Assembly Includes						
17	100-600-004	Guiding Pin, taper grooved, half						
18	112-061-000	Block						
19	100-100-014	Cylinder head Screw						
20	112-062-020	Link Assembly						
21	112-138-020	Trimmer Bracket Assembly Includes						
22	100-600-024	Grooved Anchor Pin (spring)						





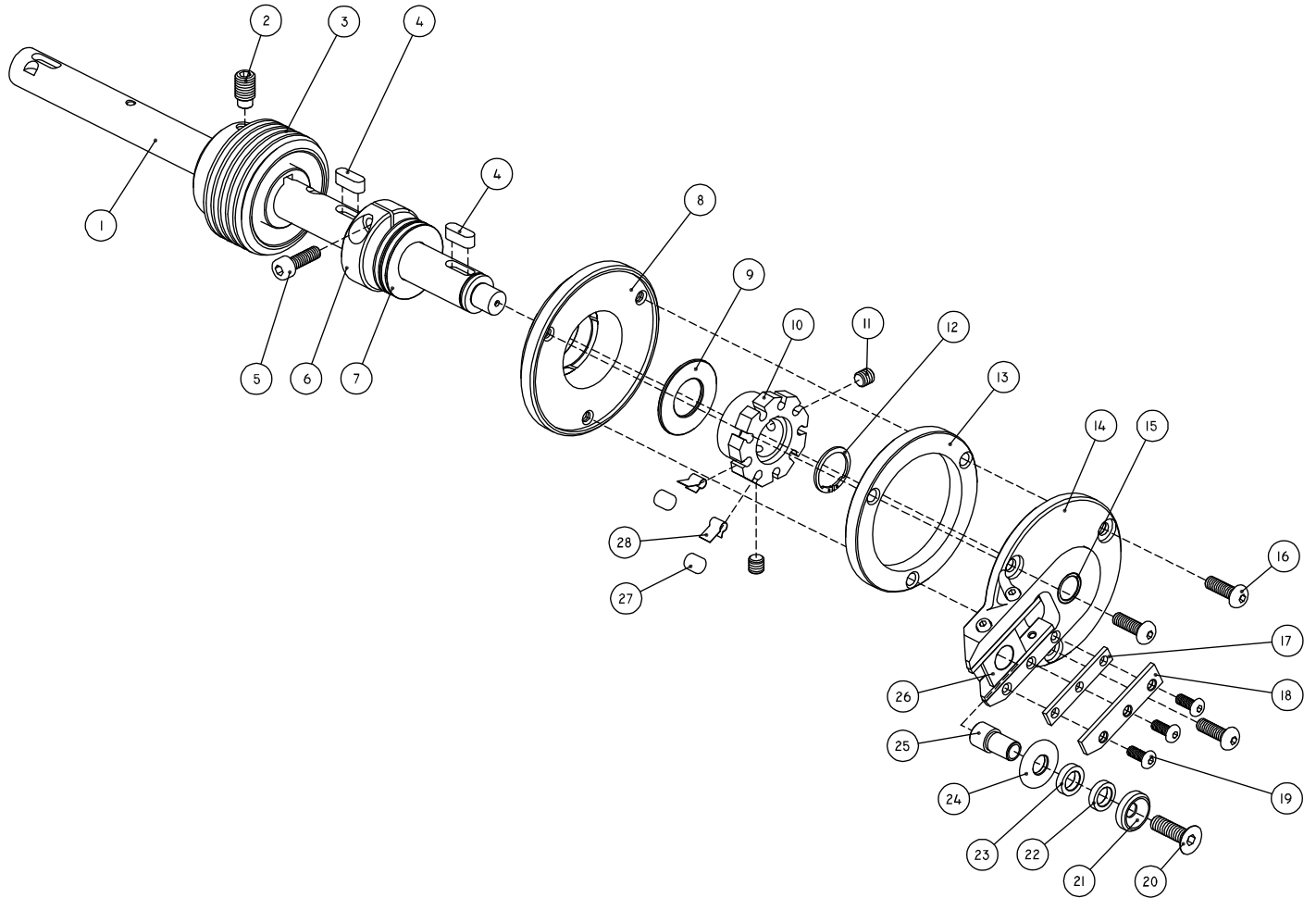
CAMCASE

Detail	Part Number	Description	Detail	Part Number	Description	Detail	Part Number	Description
1	113-000-120	CAMCASE Assembly						
		Includes						
2	100-600-028	Grooved Anchor Pin (spring)						
3	113-133-000	Thread Guide, gimp cord						



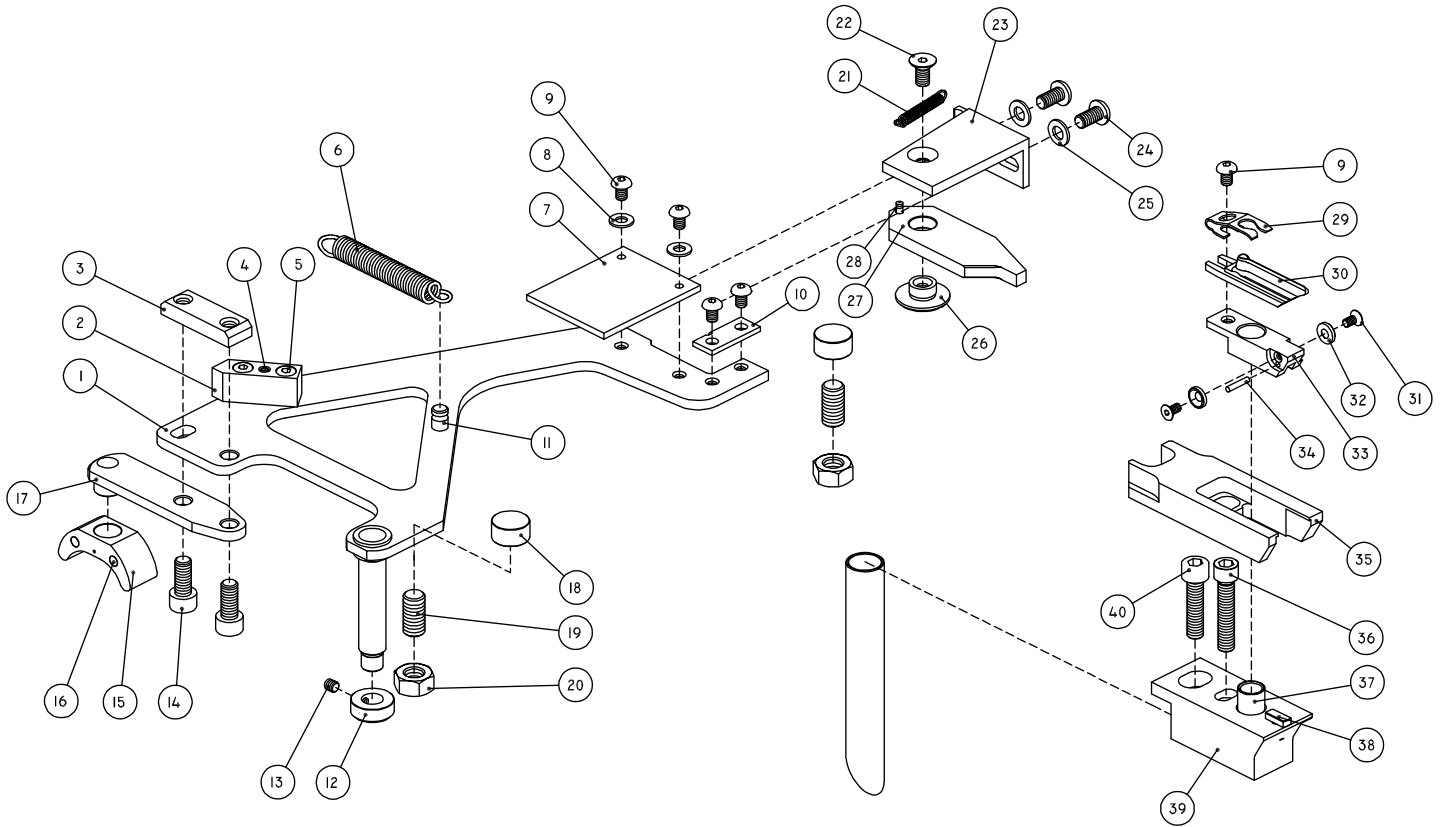
TRIMMER ACTUATOR & MAIN CAM

Detail	Part Number	Description	Detail	Part Number	Description	Detail	Part Number	Description
1	113-135-020	Thread Trimming Lever Assembly	26	100-300-039	Dome head Screw			
2	113-139-000	Trimmer Actuating Spool	27	100-400-006	Washer			
3	113-053-000	Shaft	28	113-025-000	Gib Hold Down			
4	100-100-022	Set Screw	29	100-100-003	Dome head Screw			
5	113-136-000	Shaft	30	111-148-100	Lock Plate			
6	113-137-000	Collar	31	100-300-053	Cylinder head Screw			
7	100-100-013	Sunk head Screw	32	113-123-000	Clamping Wedge			
8	113-138-000	Washer	33	113-026-020	Brake Band Assembly			
9	113-072-020	Trimmer Actuator Assembly Includes	34	113-016-000	Cam Center Support			
10	113-140-000	Roller	35	100-300-062	Dome head Screw			
12	100-600-039	Pin, plain type	36	100-500-038	Cushion O-ring			
11	100-300-049	Cylinder head Screw						
13	100-300-017	Cylinder head Screw						
14	100-800-021	Spring Anchor						
15	100-800-017	Spring -(tension)						
16	113-071-000	Main Cam - Regular Eye						
17	112-007-000	Roller, traveling control						
18	100-300-070	Sunk head Screw						
19	113-104-000	Stud						
20	100-300-001	Cylinder head Screw						
21	100-600-017	Dowel Pin, plain type						
22	113-036-000	Cutting Cam						
23	100-300-073	Sunk head Screw						
24	113-038-000	Gib Hook						
25	100-100-001	Set Screw						



REAR SHAFT & DRIVE CLUTCH

Detail	Part Number	Description	Detail	Part Number	Description	Detail	Part Number	Description
1	113-035-000	Main Shaft	24	113-087-000	Guide Washer			
2	113-147-000	Set Screw	25	113-086-000	Stud			
3	113-032-000	Worm Gear	27	100-700-001	Bearing Roller (cylindrical)			
4	113-048-000	Key	28	113-116-000	Leaf Spring			
5	100-100-009	Cylinder head Screw						
6	113-126-000	Friction Collar						
7	100-400-010	Disk Spring - washer						
8	113-093-020	Inner Clutch Cover Assembly						
9	113-095-000	Thrust Washer						
10	113-115-000	Clutch Bearing Hub						
11	100-100-001	Set Screw						
12	100-400-001	Clip						
13	113-118-000	Clutch Ring						
14	113-091-020	Outer Clutch Cover Assembly						
	Includes							
15	100-600-027	Bronze Bushing						
16	113-085-000	Slide Block						
17	100-300-047	Dome head Screw						
18	113-090-000	Spacer						
19	113-089-000	Slide Rail						
20	100-300-003	Dome head Screw						
21	100-300-014	Sunk head Screw						
22	111-054-000	Washer						
23	113-088-000	Spacer Bearing Bushing						
	113-082-000	Bushing						

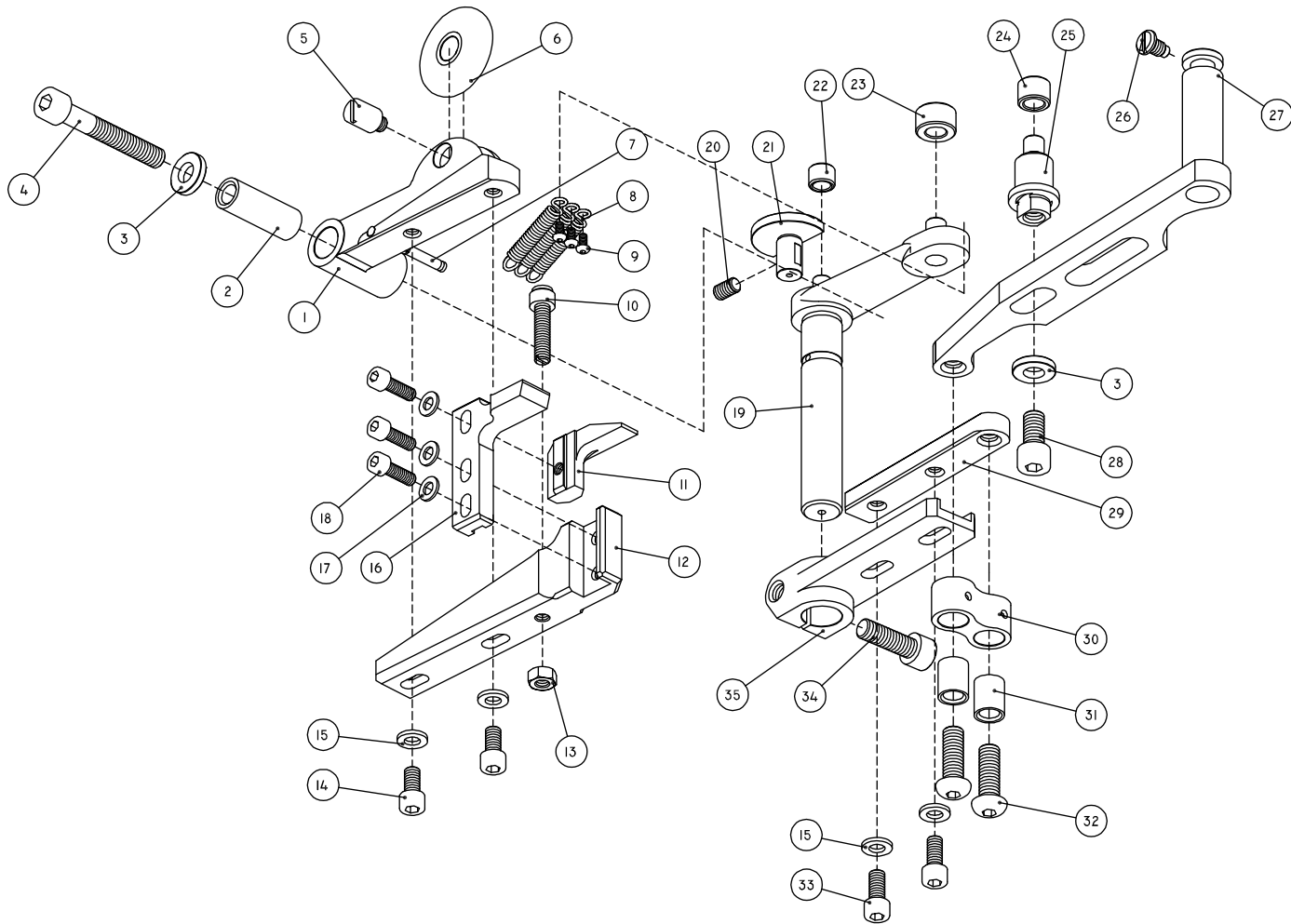


SHIFTING LEVER & CUTTING KNIFE

Detail	Part Number	Description	Detail	Part Number	Description	Detail	Part Number	Description
1	113-018-120	Shifting Lever Assembly	24	100-300-006	Dome head Screw			
	Includes		25	100-400-006	Washer			
2	113-019-100	Shifting Finger	26	113-098-000	Shoulder Bushing			
4	100-600-056	Location Pin, spring type	27	113-097-020	Timing Plate Assembly			
5	100-100-014	Cylinder head Screw		Includes				
11	113-037-100	Anchor Pin	28	100-600-022	Grooved Anchor Pin (spring)			
3	113-077-000	Nut Plate	29	113-044-000	Cloth Lifter			
6	100-800-028	Spring -(tension)	30	113-043-000	Cutting Knife - Regular Eye			
7	100-500-016	Oil Felt		113-042-000	Cutting Knife - No Eye			
8	100-400-031	Washer	31	100-300-007	Sunk head Screw			
9	100-300-023	Dome head Screw	32	113-033-000	Washer			
10	113-022-000	Saddle Plate	33	113-041-000	Knife Pad			
12	113-137-000	Collar	34	113-034-000	Spacer Pin			
13	100-100-022	Set Screw	35	113-039-000	Clamp Spreading Block			
14	100-300-079	Cylinder head Screw	36	113-145-000	Spreading Block Pivot Screw			
15	113-020-120	Shifting Shoe Assembly	39	113-040-020	Knife Holder Assembly			
	Includes			Includes				
16	100-500-037	Oil Felt	37	113-124-000	Bushing			
17	113-076-020	Adjusting Plate Assembly	38	113-046-000	Keypin			
18	113-017-000	Bedplate Button	40	100-300-035	Cylinder head Screw			
19	100-100-018	Set Screw						
20	100-200-006	Nut						
21	100-800-026	Spring -(tension)						
22	100-300-051	Sunk head Screw						
23	113-096-100	Safety Stop Bracket						

UNCLAMPING- & COMBINATION LEVER

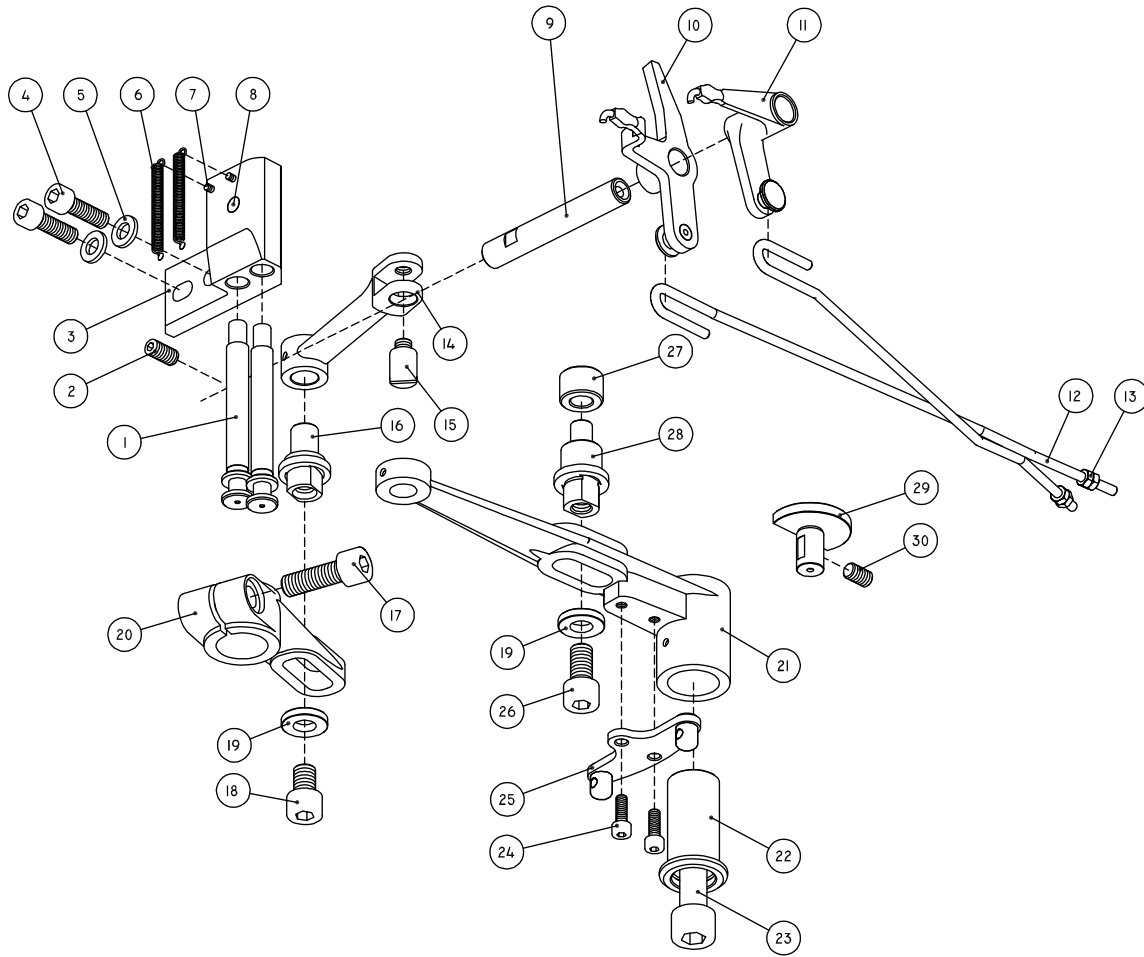
K150- 21 -2010-10



UNCLAMPING- & COMBINATION LEVER

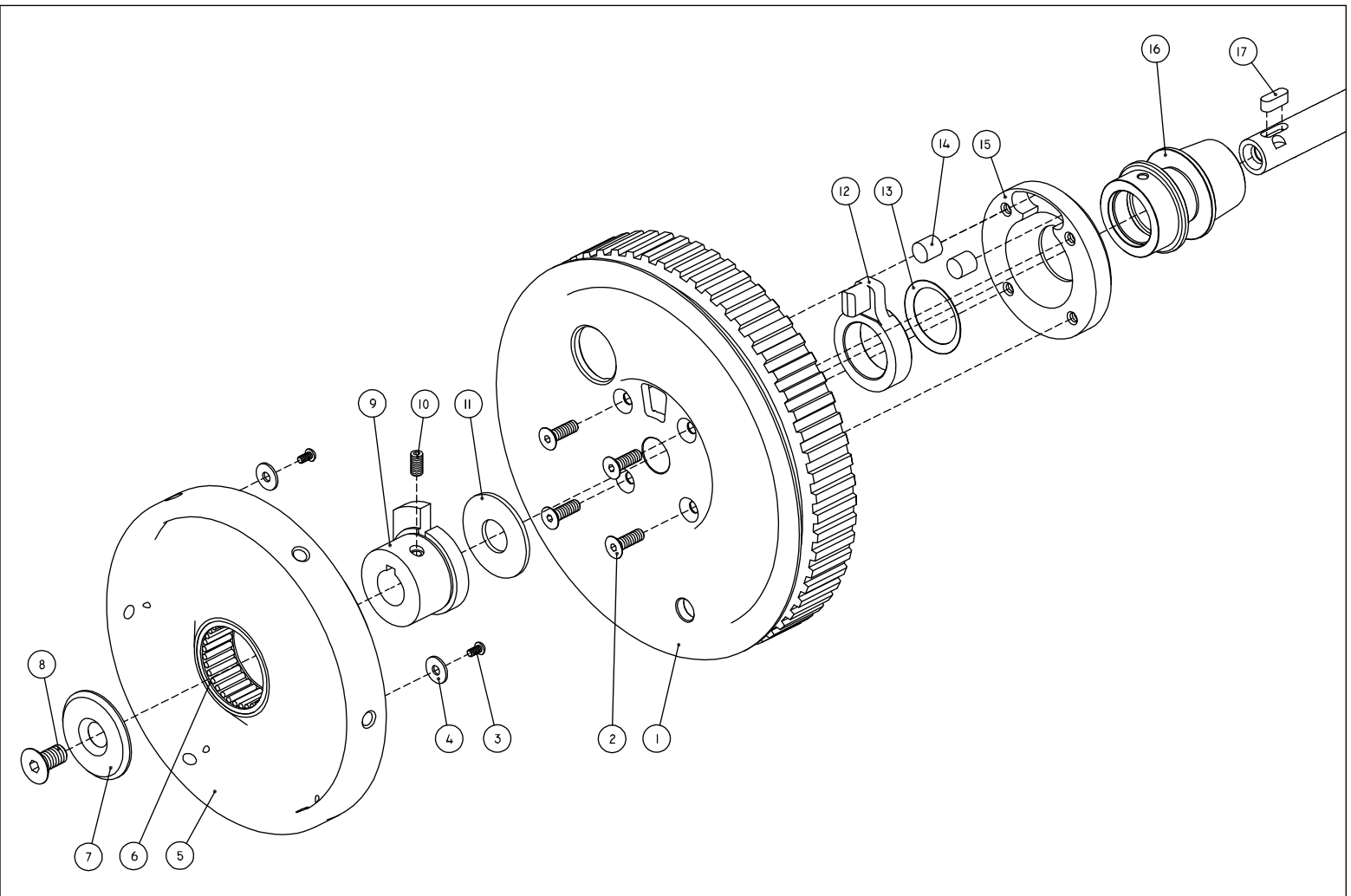
K150-21-2010-10

Detail	Part Number	Description	Detail	Part Number	Description	Detail	Part Number	Description
1	113-013-020	Clamp Lever Assembly	24	113-143-000	Roller, eye control track	<b>Optional</b>		
	Includes		25	113-012-000	Stud, eye control track			
7	100-600-003	Grooved Anchor Pin (spring)	26	113-065-000	Screw	24	113-143-001	Roller, eye control track
2	113-128-000	Bushing	27	113-063-020	Combination Lever Assembly			
3	100-400-014	Washer	28	100-300-048	Cylinder head Screw			
4	100-300-015	Cylinder head Screw	29	113-060-000	Lever Extension			
5	113-015-000	Shoulder Screw	30	113-062-000	Link			
6	113-014-000	Clamp Wheel	31	113-099-000	Spacer Bearing Bushing			
8	100-800-019	Spring -(tension)	32	100-300-056	Dome head Screw			
9	100-100-011	Dome head Screw	33	100-300-079	Cylinder head Screw			
10	112-142-020	Adjusting Screw Assembly	34	100-300-028	Cylinder head Screw			
11	113-132-000	Unclamping Stop Finger	35	113-011-100	Lower Lateral Lever			
12	113-069-000	Adjustable Toggle Arm						
13	100-200-003	Nut						
14	100-300-042	Cylinder head Screw						
15	100-400-019	Washer						
16	113-131-000	Clamping Finger						
17	100-400-006	Washer						
18	100-100-009	Cylinder head Screw						
19	113-023-120	Upper Lateral Lever Assembly						
20	100-100-035	Set Screw						
21	113-080-000	Bedplate Support Button						
22	113-101-000	Roller, "No Eye" control						
23	112-007-000	Roller, traveling control						



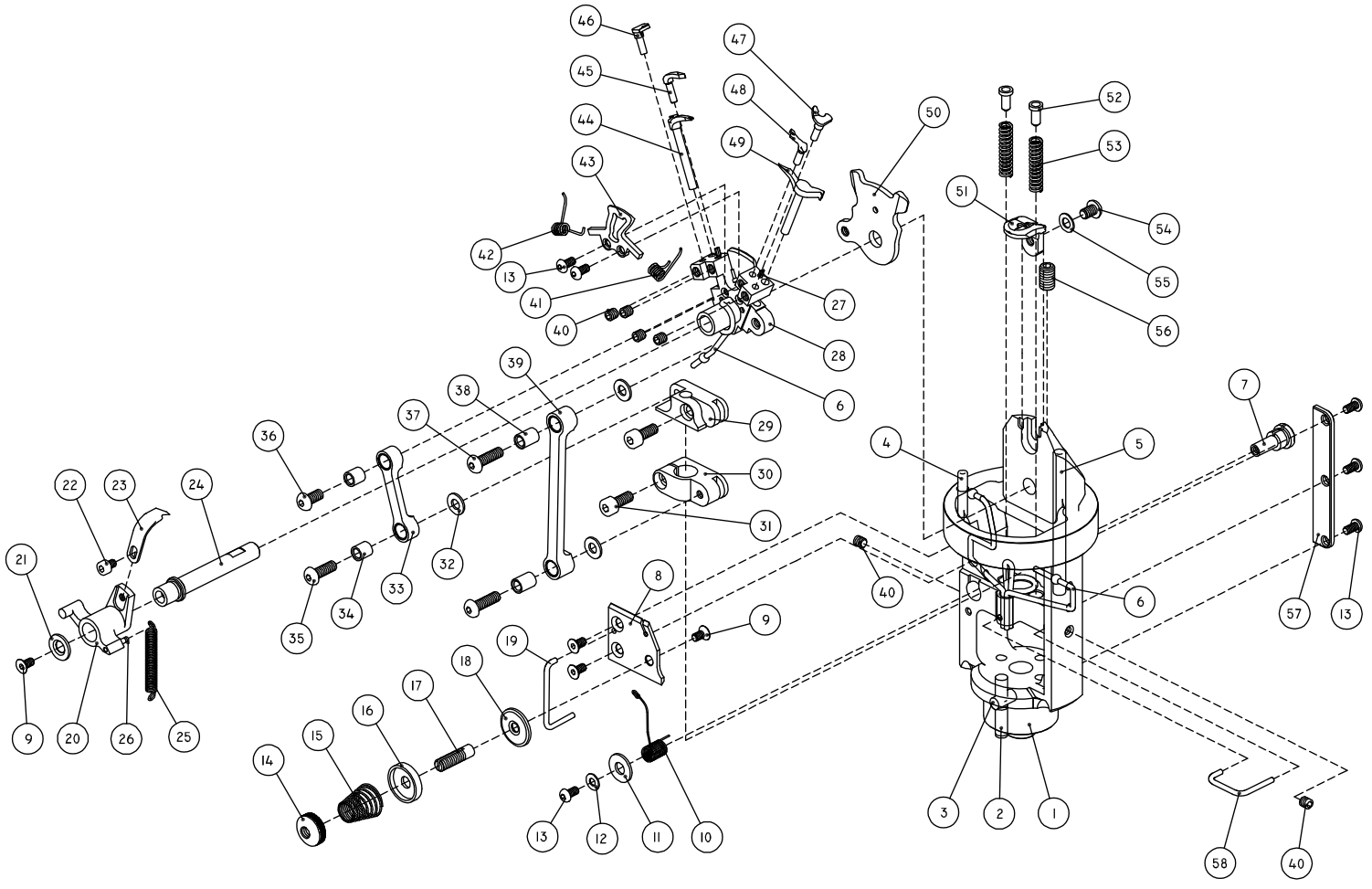
FLYBAR PINS & SECTOR LEVER

Detail	Part Number	Description	Detail	Part Number	Description	Detail	Part Number	Description
1	113-054-000	Flybar Pin	24	100-100-014	Cylinder head Screw		optional	
2	100-100-019	Set Screw	25	113-057-020	Bracket Assembly	27	113-010-001	Roller, race turning track
3	113-083-020	Flybar Pin Bracket Assembly Includes	26	100-300-048	Cylinder head Screw			
7	100-600-022	Grooved Anchor Pin (spring)	27	113-010-000	Roller, race turning track			
8	100-500-029	Oil Felt	28	113-070-000	Stud, race turning track			
4	100-300-057	Cylinder head Screw	29	113-080-000	Bedplate Support Button			
5	100-400-019	Washer	30	100-100-035	Set Screw			
6	100-800-010	Spring -(tension)						
9	113-142-000	Pin Actuator Shaft						
10	113-055-020	Pin Actuator Assembly						
11	113-056-020	Pin Actuator Assembly						
12	113-058-000	Wire Rod						
13	100-200-001	Nut						
14	113-007-000	Cover Link						
15	113-015-000	Shoulder Screw						
16	113-008-000	Stud (short link)						
17	100-300-028	Cylinder head Screw						
18	100-300-082	Cylinder head Screw						
19	100-400-014	Washer						
20	113-006-000	Short Link						
21	113-068-000	Sector Lever						
22	113-009-000	Spacer Bearing Bushing						
23	100-300-064	Cylinder head Screw						



DRIVING- & CUTTING WHEEL

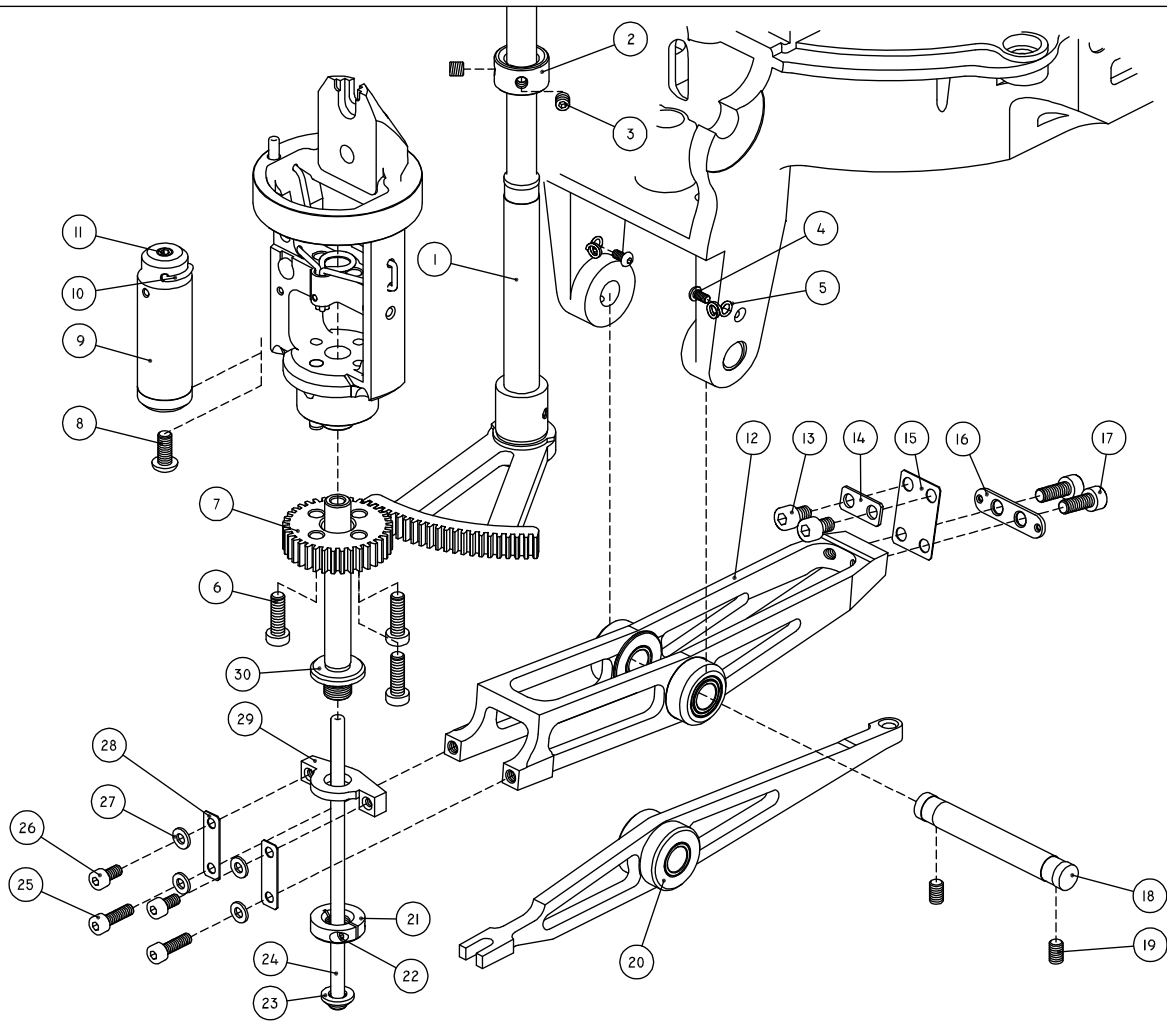
Detail	Part Number	Description	Detail	Part Number	Description	Detail	Part Number	Description
1	113-027-100	Drive Wheel						
2	100-300-032	Sunk head Screw						
3	100-100-011	Dome head Screw						
4	100-400-004	Washer						
5	113-130-020	Handwheel Assembly						
	Includes							
6	100-700-006	Clutch Bearing, one way release						
7	113-107-000	Washer						
8	113-144-000	Screw						
9	113-106-000	Driven Collar						
10	100-100-033	Set Screw						
11	100-500-010	Felt Washer, cushion						
12	113-029-000	Driving Collar						
13	100-400-007	Domed Washer (spring)						
14	113-031-000	Rubber Stop						
15	113-028-000	Driving Collar Case						
16	113-030-100	Shifting Spool						
17	113-048-000	Key						



RACE, THREAD TRIMMER, LOOPERS & SPREADERS

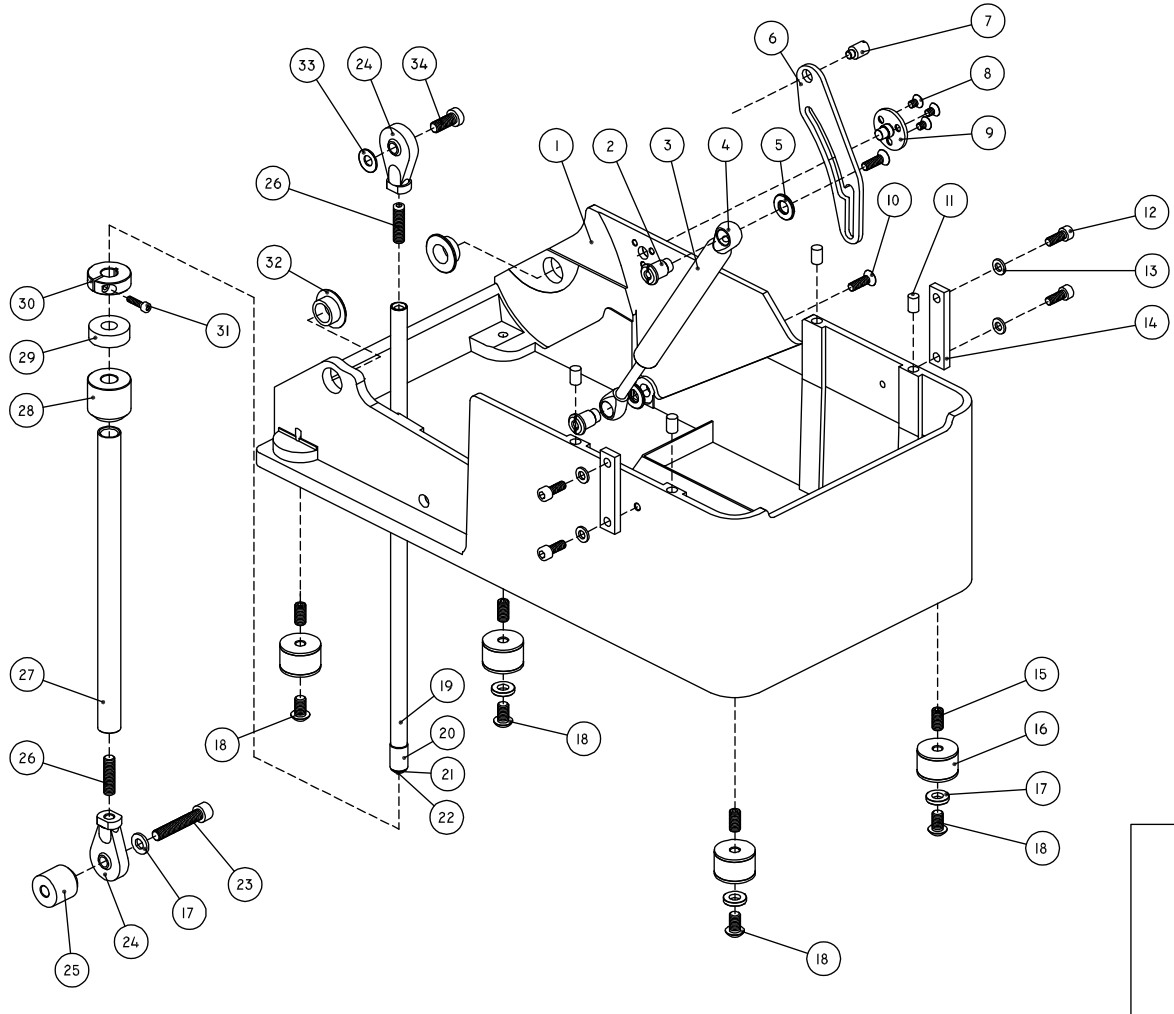
Detail	Part Number	Description	Detail	Part Number	Description	Detail	Part Number	Description
1	114-000-020	RACE Assembly	24	114-030-000	Looper Carrier Stud	46	114-004-000	Spreader Stop - Left
	Includes		25	100-800-013	Spring -(tension)	47	114-003-000	Spreader Stop - Right
2	100-600-033	Dowel Pin, plain type	28	114-002-020	Looper Carrier Assembly	48	114-024-000	Looper - Right
3	100-500-028	Oil Felt		Includes		49	114-026-000	Spreader - Right
4	114-049-000	Bottom Thread Guide Tube	6	SEE PAGE 33, DETAIL 12		50	114-028-000	Spreader Wedge
5	114-047-000	Gimp Guide	27	SEE PAGE 33, DETAIL 13		51	114-006-000	Throat Plate
6	SEE PAGE 33, DETAIL 12		29	114-011-000	Spreader Crosshead	52	114-012-000	Plunger
7	114-048-000	Tension Stud	30	114-014-000	Looper Crosshead	53	100-800-025	Spring -(compression)
8	114-039-000	Tension Plate, bottom thread	31	100-300-003	Dome Head Screw	54	100-300-023	Dome head Screw
9	100-300-007	Sunk head Screw	32	114-021-000	Washer	55	100-400-003	Washer
10	100-800-039	Check Spring	33	114-008-020	Spreader Link Assembly	56	100-100-035	Set Screw
11	114-019-000	Spacer Washer	34	114-037-000	Spacer Bearing Bushing	57	114-017-000	Crosshead Guide Plate
12	100-400-013	Washer	35	100-300-020	Dome head Screw	58	114-046-000	Spring Anchor
13	100-100-011	Dome head Screw	36	114-050-000	Dome head Screw			
14	114-044-000	Knurled Nut	37	100-300-058	Dome head Screw			
15	100-800-031	Spring -(compression)	38	114-036-000	Spacer Bearing Bushing			
16	114-041-000	Tension Disk (outer), bottom thread	39	114-007-020	Looper Link Assembly			
17	114-042-000	Tension Stud	40	100-100-022	Set Screw			
18	114-040-000	Tension Disk (inner), bottom thread	41	100-800-040	Spreader Spring - Right			
19	114-045-000	Bottom Thread Guide Rod	42	100-800-041	Spreader Spring - Left			
20	114-022-020	Trimmer Knife Holder Assembly	43	114-005-000	Needle Guard			
	Includes		44	114-027-000	Spreader - Left			
26	100-600-025	Grooved Anchor Pin (spring)	45	114-025-000	Looper - Left			
21	114-043-000	Washer						
22	100-300-038	Cylinder head Screw						
23	114-023-000	Trimmer Knife						





LOOPER- & SPREADER DRIVE

Detail	Part Number	Description	Detail	Part Number	Description	Detail	Part Number	Description
1	113-003-020	Lower Sector & Shaft Assembly	23	114-032-000	Ring			
2	113-005-000	Collar	24	114-013-020	Spreader Spindle Assembly			
3	100-100-025	Set Screw	25	100-300-009	Cylinder head Screw			
4	100-100-011	Dome head Screw	26	100-300-059	Cylinder head Screw			
5	100-800-020	Thread Guide	27	100-400-009	Washer			
6	100-300-061	Cylinder head Screw (low)	28	114-035-000	Coupler (small)			
7	114-016-000	Race Gear	29	113-114-000	Looper Spindle Connector			
8	100-300-039	Dome head Screw	30	114-015-000	Looper Spindle			
9	113-120-020	Oil Reservoir Assembly Includes						
10	SEE PAGE 33, DETAIL 12							
11	100-100-001	Set Screw						
12	113-067-020	Looper Rocker Assembly						
13	100-300-018	Cylinder head Screw						
14	114-010-000	Plate						
15	114-034-000	Coupler (wide)						
16	113-061-000	Thread Guide Plate						
17	100-300-017	Cylinder head Screw						
18	113-134-000	Shaft						
19	100-100-012	Set Screw						
20	113-066-020	Spreader Rocker Lever Assembly						
21	114-029-020	Adjustable Collar Includes						
22	100-300-012	Cylinder head Screw						

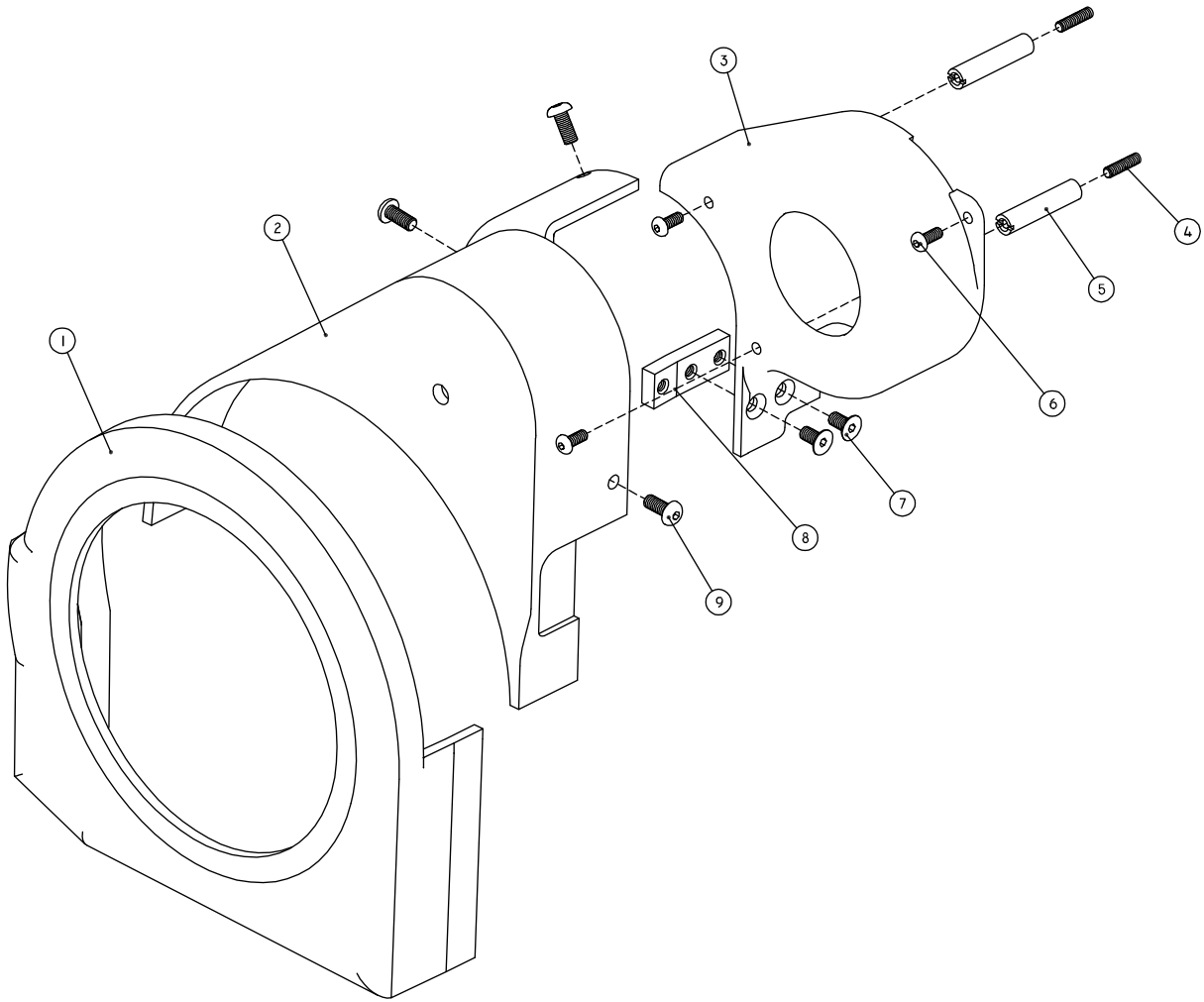


BASE

Detail	Part Number	Description	Detail	Part Number	Description	Detail	Part Number	Description
1	115-000-000	Base	24	119-101-000	Swivel Connector			
2	112-136-000	Shoulder Stud	25	119-011-000	Spacer Bushing			
3	115-012-020	Gas Spring Assembly Includes	26	100-100-020	Set Screw			
4	115-008-000	Bracket	27	119-103-020	Connecting Tube Assembly			
5	112-132-000	Washer	28	119-102-000	Nylon Bushing			
6	115-001-000	Safety Latch	29	100-600-011	Ring			
7	113-015-000	Shoulder Screw	30	119-115-000	Clamp			
8	100-100-007	Sunk head Screw	31	100-300-083	Cylinder head Screw			
9	115-004-000	Rest Pin (safety latch)	32	115-007-000	Nylon Bushing			
10	100-300-014	Sunk head Screw	33	100-400-005	Disk Spring - washer			
11	115-003-000	Cushion	34	100-300-084	Cylinder head Screw (Low)			
12	100-300-093	Cylinder head Screw	35	100-400-041	Shim			
13	100-400-039	Washer						
14	115-002-000	Shipping Bracket						
15	100-100-018	Set Screw						
16	100-400-033	Rubber Insert						
17	100-400-016	Washer						
18	100-300-094	Dome head Screw						
19	119-105-020	Connecting Rod Assembly Includes						
20	119-106-000	Nylon Bushing						
21	100-400-017	Washer						
22	100-300-087	Dome head Screw						
23	100-300-060	Cylinder head Screw						

COVERS FOR DRIVE WHEEL & CLUTCH

K150- 27 -2010-10



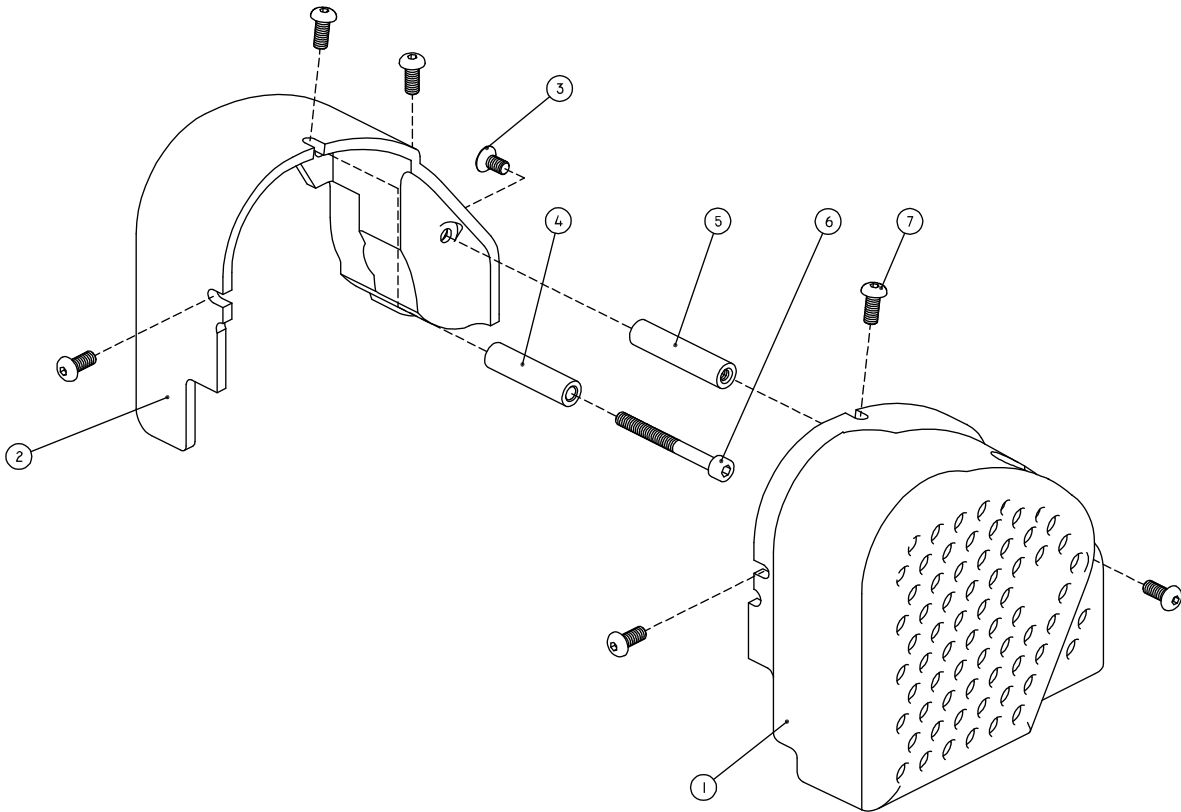
COVERS FOR DRIVE WHEEL & CLUTCH

K150-27-2010-10

Detail	Part Number	Description	Detail	Part Number	Description	Detail	Part Number	Description
1	118-005-000	Drive Wheel Cover						
2	118-006-000	Clutch Cover						
3	118-007-100	Stitch Shaft Cover						
4	100-100-002	Set Screw						
5	111-236-000	Spacer Bar						
6	100-300-088	Dome head Screw						
7	100-300-051	Sunk head Screw						
8	118-012-000	Bracket						
9	100-300-086	Dome head Screw						

STOP BOLT COVER

K150- 28 -2010-10



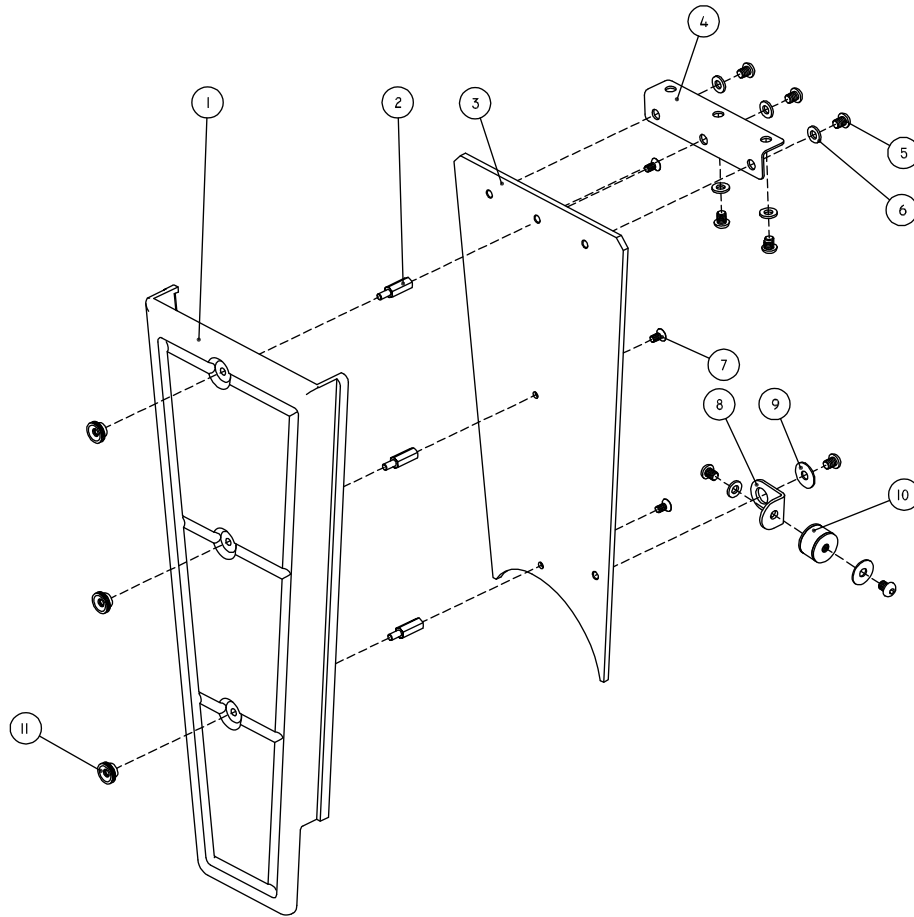
STOPBOLT COVER

K150-28-2010-10

Detail	Part Number	Description	Detail	Part Number	Description	Detail	Part Number	Description
1	118-001-100	Stop Bolt Cover						
2	118-008-100	Strop Bolt Shield						
3	100-300-051	Sunk head Screw						
4	118-011-000	Spacer						
5	118-009-000	Spacer						
6	100-300-078	Cylinder head Screw						
7	100-300-086	Dome head Screw						

# V-BELT COVER

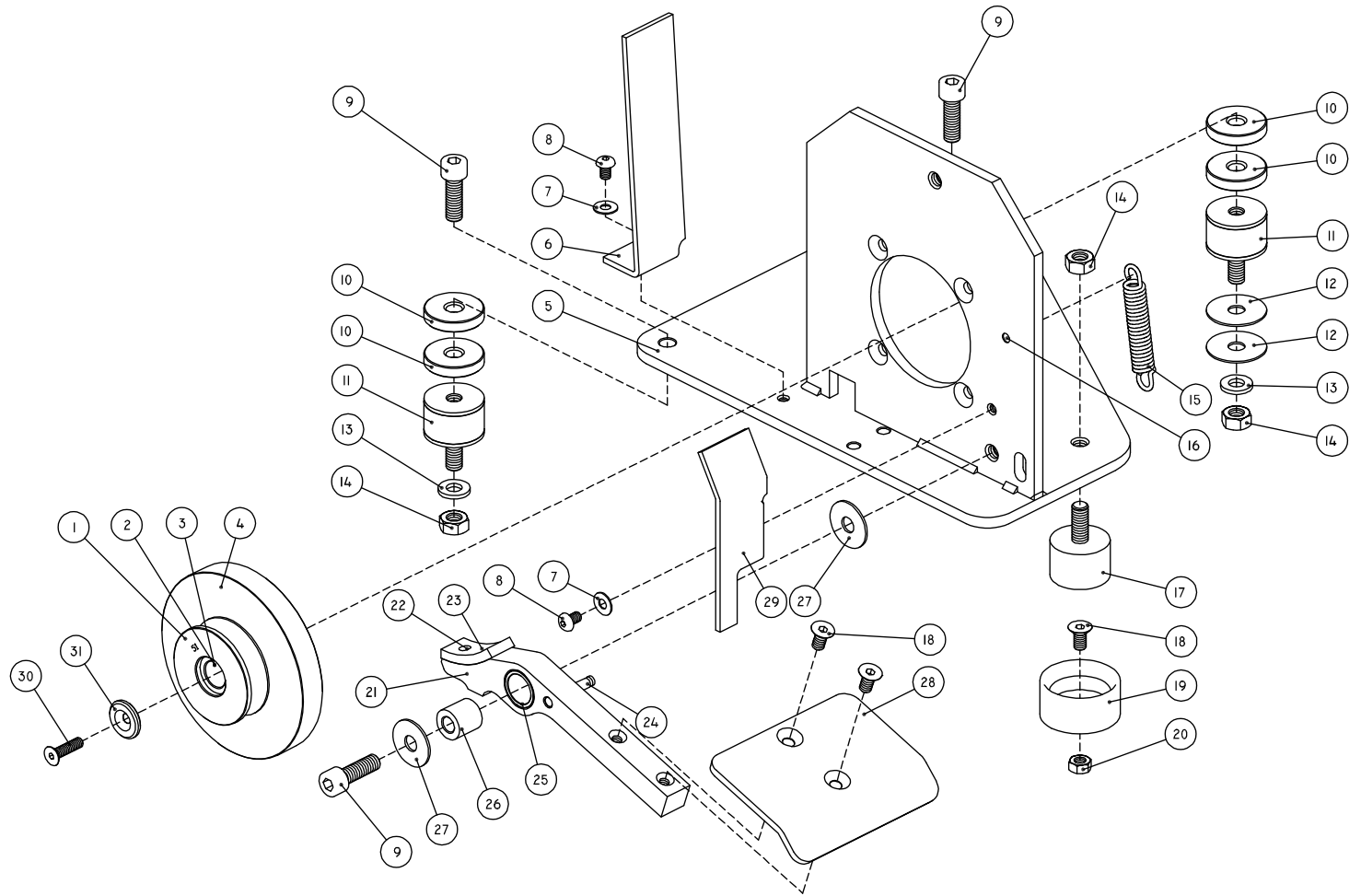
K150- 29 -2010-10



# V-BELT COVER

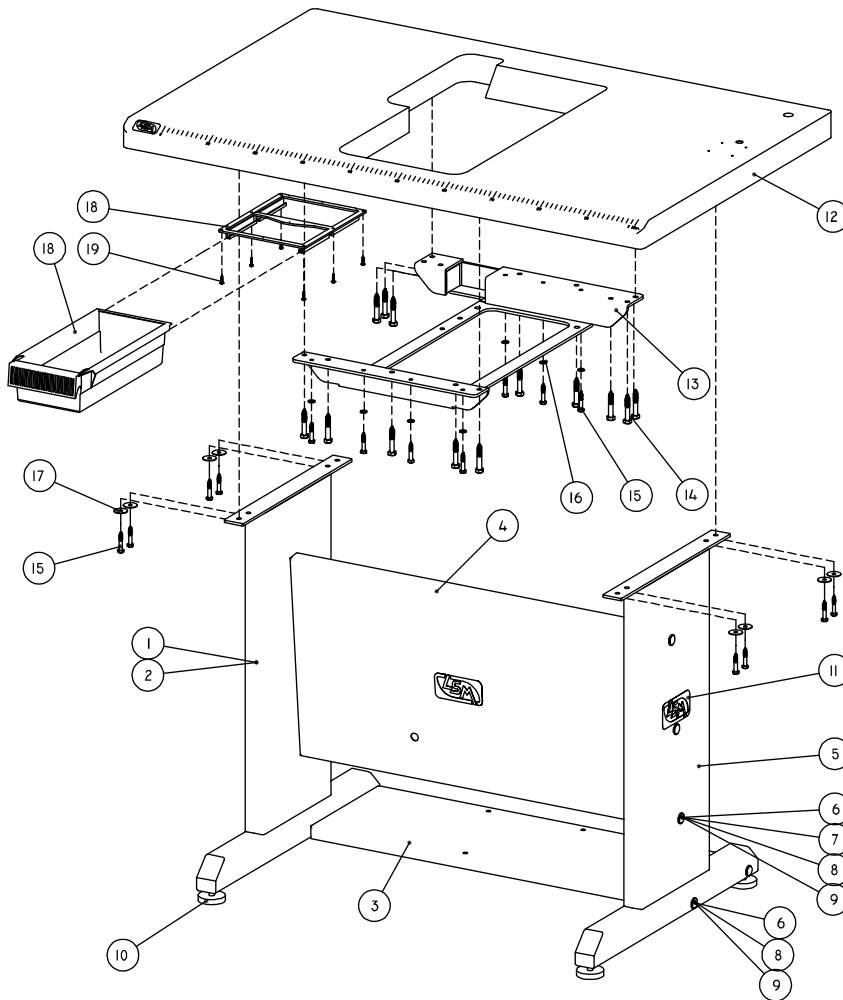
K150-29-2010-10

Detail	Part Number	Description	Detail	Part Number	Description	Detail	Part Number	Description
1	118-002-000	Belt Cover - Motor						
2	100-200-015	Threaded Spacer						
3	119-012-100	Plate						
4	119-013-100	Bracket						
5	100-300-085	Dome head Screw						
6	100-400-016	Washer						
7	100-300-026	Sunk head Screw						
8	119-015-000	Bracket						
9	100-400-023	Washer						
10	100-400-033	Rubber Insert						
11	100-200-007	Thumb Nut						



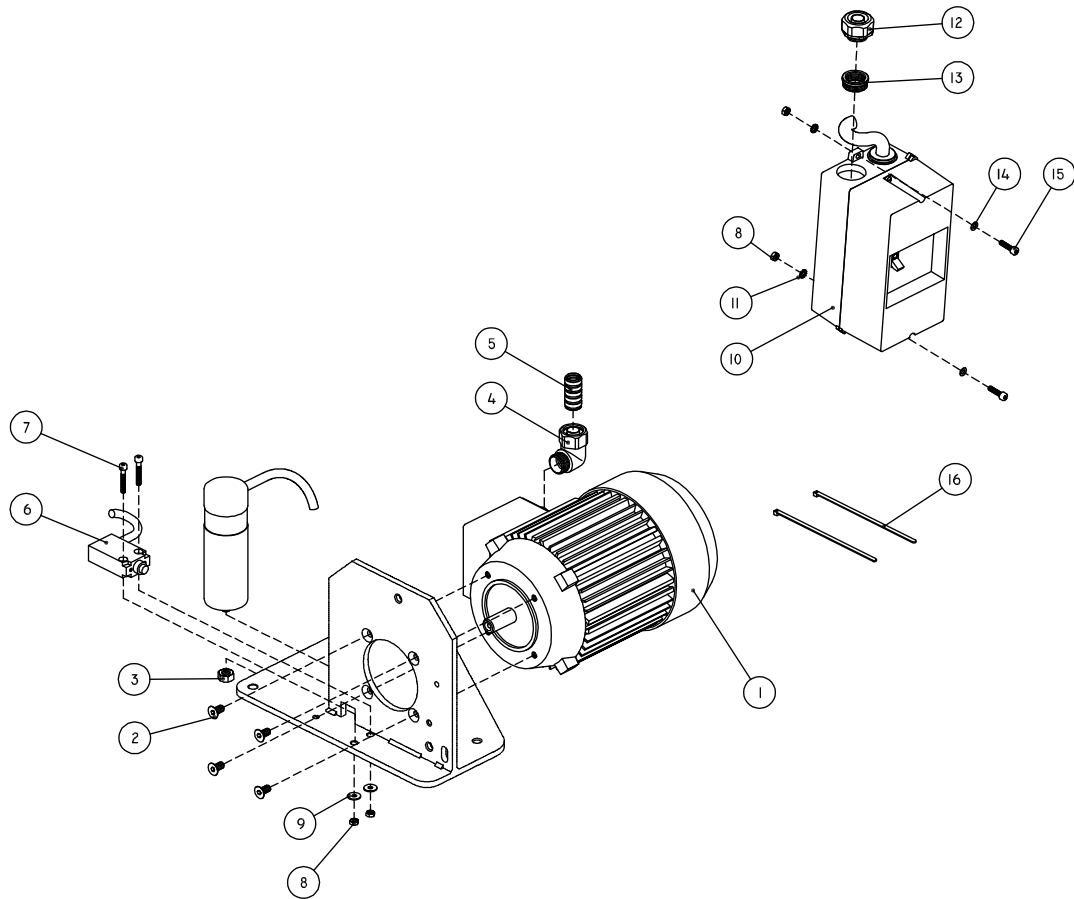
MOTOR PULLEY, -BRACKET & FOOT PEDAL

Detail	Part Number	Description	Detail	Part Number	Description	Detail	Part Number	Description
1	119-151-120	Motor Pulley Ass'y - 50Hz, (outside)	18	100-300-026	Sunk head Screw			
	<b>Includes</b>		19	119-008-000	Front Bumper Guide			
1	119-151-100	Motor Pulley - 50Hz, (outside)	20	100-200-012	Nut			
2	100-400-037	Washer	21	119-109-020	Brake Arm Assembly			
3	100-400-038	Washer		<b>Includes</b>				
4	119-150-100	Motor Pulley Base	22	100-500-006	Pop Rivet			
1	119-161-120	Motor Pulley Ass'y - 60Hz, (outside)	23	119-110-000	Brake Pad			
	<b>Includes</b>		24	100-600-016	Grooved Anchor Pin (spring)			
1	119-161-100	Motor Pulley - 60Hz, (outside)	25	100-600-031	Bronze Bushing			
2	100-400-037	Washer	26	119-111-000	Spacer Bearing Bushing			
3	100-400-038	Washer	27	100-400-023	Washer			
4	119-150-100	Motor Pulley Base	28	119-108-000	Brake Pedal			
5	119-007-020	Motor Bracket Assembly	29	119-010-000	Motor Bracket Cover - Front			
	<b>Includes</b>		30	100-300-040	Sunk head Screw			
16	100-600-028	Grooved Anchor Pin	31	119-107-000	Washer			
6	119-009-000	Motor Bracket Cover - Rear						
7	100-400-017	Washer						
8	100-300-087	Dome head Screw						
9	100-300-028	Cylinder head Screw						
10	119-021-000	Washer						
11	100-400-011	Rubber Mounting Foot						
12	100-400-021	Washer						
13	100-400-016	Washer						
14	100-200-009	Nut						
15	100-800-005	Spring -(tension)						
17	100-400-022	Motor Bracket Bumper						



SUBMERGED TABLE

Detail	Part Number	Description	Detail	Part Number	Description	Detail	Part Number	Description
1	119-002-120	Table Frame Assembly						
		Includes						
2	119-001-100	Leg (left)						
3	119-003-100	Motor Bracket						
4	119-004-100	Stabalizing Bracket						
5	119-020-100	Leg (right)						
6	119-016-000	Shoulder Nut						
7	119-017-000	Spacer						
8	100-400-016	Washer						
9	100-300-048	Cylinder head Screw						
10	100-400-015	Rubber Foot - Table						
11	SEE PAGE 33, DETAIL 4							
12	119-200-000	Table Top (submerge)						
13	119-005-100	Support Bracket						
14	100-100-028	Wood Screw						
15	100-100-029	Wood Screw						
16	100-400-039	Washer						
17	100-400-024	Washer						
18	119-202-000	Drawer & Runner						
19	100-100-038	Wood Screw						

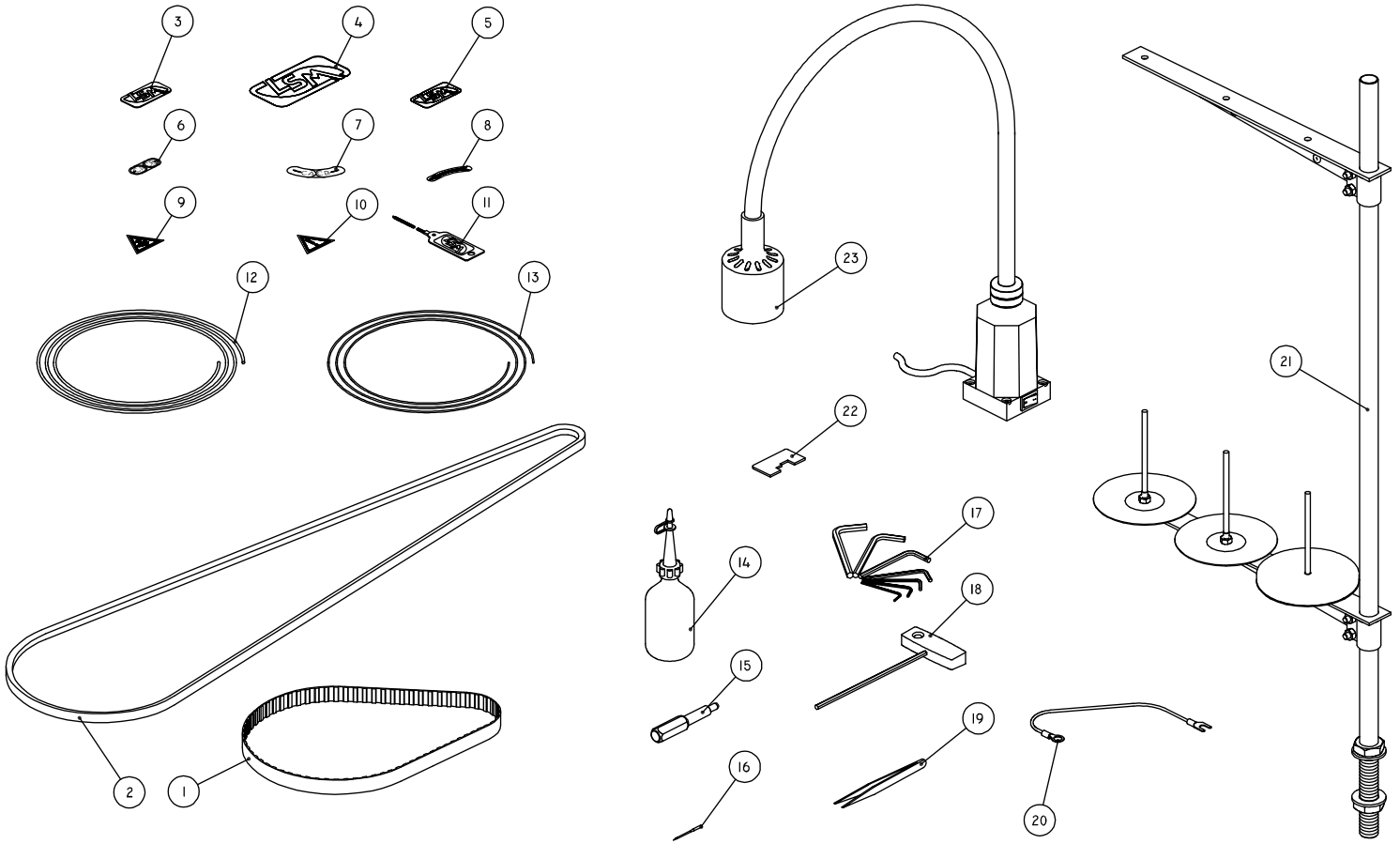


MOTOR & SWITCH BOX

Detail	Part Number	Description	Detail	Part Number	Description	Detail	Part Number	Description
1	119-300-001	Motor 1PH, 230(220)V, 50Hz	12	119-405-000	Conduit Connector			
	119-300-002	Motor 3PH, 400(380)V, 50Hz	13	119-407-000	Nut			
	119-300-003	Motor 1PH, 240V, 50Hz	14	100-400-003	Washer			
	119-300-004	Motor 3PH, 220V, 60Hz	15	100-300-083	Cylinder head Screw			
	119-300-005	Motor 1PH, 110V, 60Hz	16	100-500-032	Tie Wrap			
	119-300-006	Motor 3PH, 440V, 50Hz						
	119-300-007	Motor 1PH, 220V, 60Hz						
	119-300-008	Motor 3PH, 200V, 50Hz						
2	100-300-026	Sunk head Screw						
3	100-200-009	Nut						
4	119-406-000	Conduit Elbow						
5	119-408-000	Conduit Tube						
6	119-401-001	Switch - Safety Stop						
7	100-300-075	Cylinder head Screw						
8	100-200-008	Nut						
9	100-400-004	Washer						
10	119-400-001	Switch Box 1PH, 230(220)V, 50Hz						
	119-400-002	Switch Box 3PH, 400(380)V, 50Hz						
	119-400-003	Switch Box 1PH, 240V, 50Hz						
	119-400-004	Switch Box 3PH, 220V, 60Hz						
	119-400-005	Switch Box 1PH, 110V, 60Hz						
	119-400-006	Switch Box 3PH, 440V, 50Hz						
	119-400-007	Switch Box 1PH, 220V, 60Hz						
	119-400-011	Switch Box 1PH, 230V, 50Hz*						
	119-400-012	Switch Box 3PH, 380V, 50Hz*						
11	100-400-012	Lock Washer						

\* This Switch Box is only to be used in the Peoples Republic of China (PRC)





BELTS & ACCESSORIES

Detail	Part Number	Description	Detail	Part Number	Description	Detail	Part Number	Description
1	100-500-035	Belt - HEAD	17	103-100-001	Allen Keys - Set 1.5, 2, 2.5, 3, 4, 5, 6mm	optional		
2	119-100-000	V-Belt - Z / 10 - 1600mm - 50Hz	18	103-100-002	"T" - Wrench - 4mm	2	119-112-000	V-Belt - ZX / 10 - 1600mm - 60Hz
3	104-002-000	Aluminium Plate - LSM Logo	19	103-100-020	Tweezers	119-114-000	119-114-000	V-Belt - Z / 10 - 1800mm - 50Hz
4	104-003-000	Decal - LSM - Large	20	119-415-020	Earth Wire Assembly	119-116-000	119-116-000	V-Belt - ZX / 10 - 1800mm - 60Hz
5	104-004-000	Decal - LSM - Small	21	119-500-001	Thread Stand	22	103-001-000	Timing Guide
6	104-005-000	Decal - CA / CB				23	119-402-000	Table Light - 230V
7	104-006-000	Decal - CA / CB					119-403-000	Table Light - 380V
8	104-007-000	Decal - ARROW					119-404-000	Replacement Bulb
9	104-008-000	Decal - Hand Warning					119-413-000	Table Light - 110V
10	104-009-000	Decal - Warning Sign						
11	103-100-021	Threading Wire						
12*	100-500-002	Oil Wick (thick)						
13*	100-500-014	Oil Wick (thin)						
14	117-001-000	Oil & Oilcan						
15	113-127-000	Pin Wrench						
16	103-300-001	SCHMETZ needle size 80/12 (Box)						
	103-300-002	SCHMETZ needle size 90/14 (Box)						
	103-300-003	SCHMETZ needle size 100/16 (Box)						
	103-300-004	SCHMETZ needle size 110/18 (Box)						
	103-300-005	SCHMETZ needle size 120/19 (Box)						
	103-300-006	SCHMETZ needle SES size 80/12 (Box)						
	103-300-007	SCHMETZ needle SES size 90/14 (Box)						
	103-300-008	SCHMETZ needle SES size 100/16 (Box)						
	103-300-009	SCHMETZ needle SES size 110/18 (Box)						
	103-300-010	SCHMETZ needle S size 90/14 (Box)						
	103-300-012	SCHMETZ needle S size 110/18 (Box)						
					* SUPPLIED IN LENGTH OF 1 METER			

