

金輪牌 GOLDEN WHEEL

Single Needle Lockstitch Cylinder-Bed Compound Feed
Sewing Machine For Heavy Duty Materials

CS-461 □

零件分解図 PARTS LIST

△1 2016. 03. 30 P20, P21

△2 2016. 05. 18 P30, P31

△3 2016. 08. 22 P30, P31

△4 2022. 05. 17 P43, P44, P45

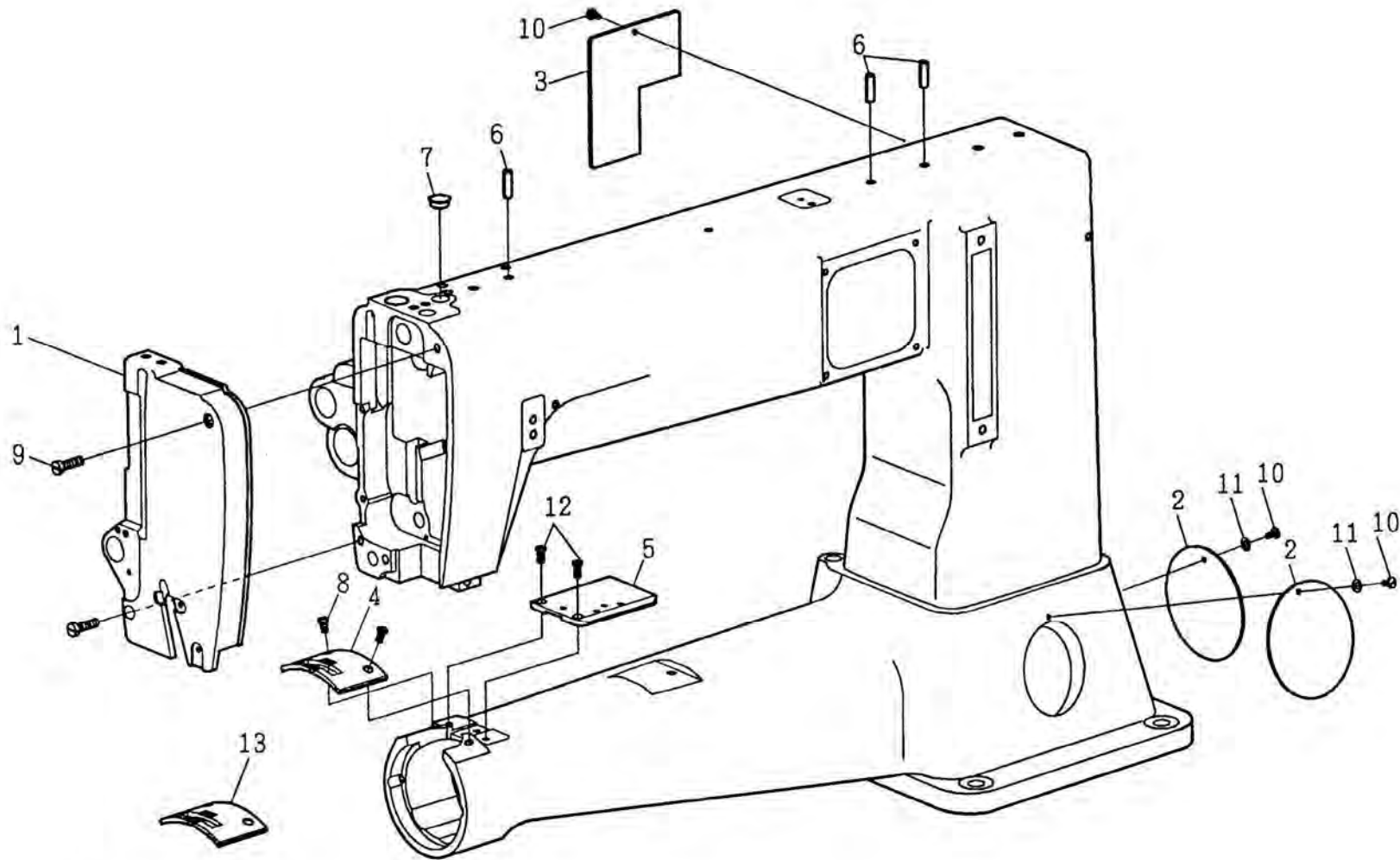
CHEE SIANG INDUSTRIAL CO.,LTD.

目次

MODEL : CS-461

索引	INDEX	PAGE
A. 本體關係	FRAME & MISCELLANEOUS COVER COMPONENTS	2-3
B. 上軸關係	MAIN SHAFT COMPONENTS	4-5
C. 針棒・上部送料關係	NEEDLE BAR・UPPER FEED MECHANISM COMPONENTS	6-11
D. 押脚關係	PRESSURE BAR COMPONENTS	12-13
E. 送料關係	FEED MECHANISM COMPONENTS	14-17
F. 下軸關係	HOOK DRIVING SHAFT COMPONENTS	18-21
G. 糸調子關係	TENSION POST COMPONENTS	22-23
H. 捲線器・線掛關係	THREAD WINDER & THREAD GUIDE COMPONENTS	24-27
I. 膝上關係	KNEE LIFTER COMPONENTS	28-29
J. 皮帶套關係	BELT COVER COMPONENTS	30-31
K. 線架關係	THREAD STAND COMPONENTS	32-33
L. 針車板關係	TABLE COMPONENTS	34-35
M. 附件	ACCESSORIES PARTS COMPONENTS	36-37
N. 零件號碼與頁數對照表	NUMERICAL PARTS-LIST	38-40

A. CS-461 本體關係 FRAME & MISCELLANEOUS COVER COMPONENTS

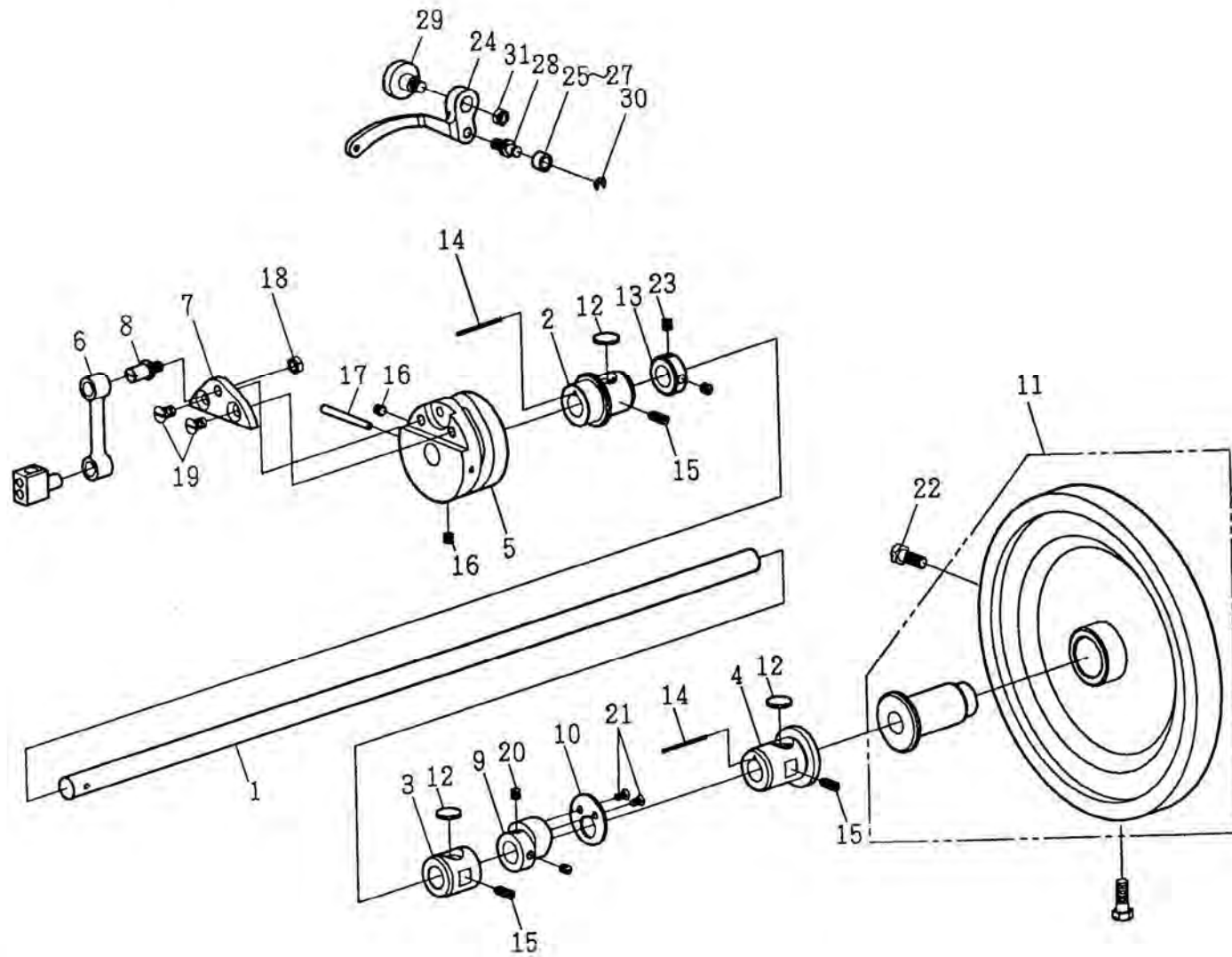


A. CS-461 本體關係 FRAME & MISCELLANEOUS COVER COMPONENTS

REF.No	NOTE	零件號碼 Part No.	零件名稱	Name of Part	件數 Q'TY	備註 Remarks
1		4410111005	面板(組)	Face Plate Asm.	1	
2		4710111100	底座窓板(A)	Side Cover, A	2	
3		4410111200	窓板(B)	Side Cover, B	1	
4		4410111300	針板	Throat Plate	1	
5		4710111600	角板	Slide Plate	1	
6		4710911500	油管	Oil Pipe	3	
7		S1013-0A	油塞	Rubber Plug	1	
8		ZSB12045	螺絲	Screw 3/16-28 L=8	2	
9		ZSB15021	螺絲	Screw 15/64-28 L=18	2	
10		ZSB09047	螺絲	Screw 9/64-40 L=7	3	
11		WC049001	墊圈	Washer	2	
12		ZSB11018	螺絲	Screw 11/64-40 L=9	2	
13	#01	4410111400	針板	Throat Plate (Short)	(1)	

Note (注記) #01. . . . Optional part オプション部品

B. CS-461 上軸関係 MAIN SHAFT COMPONENTS

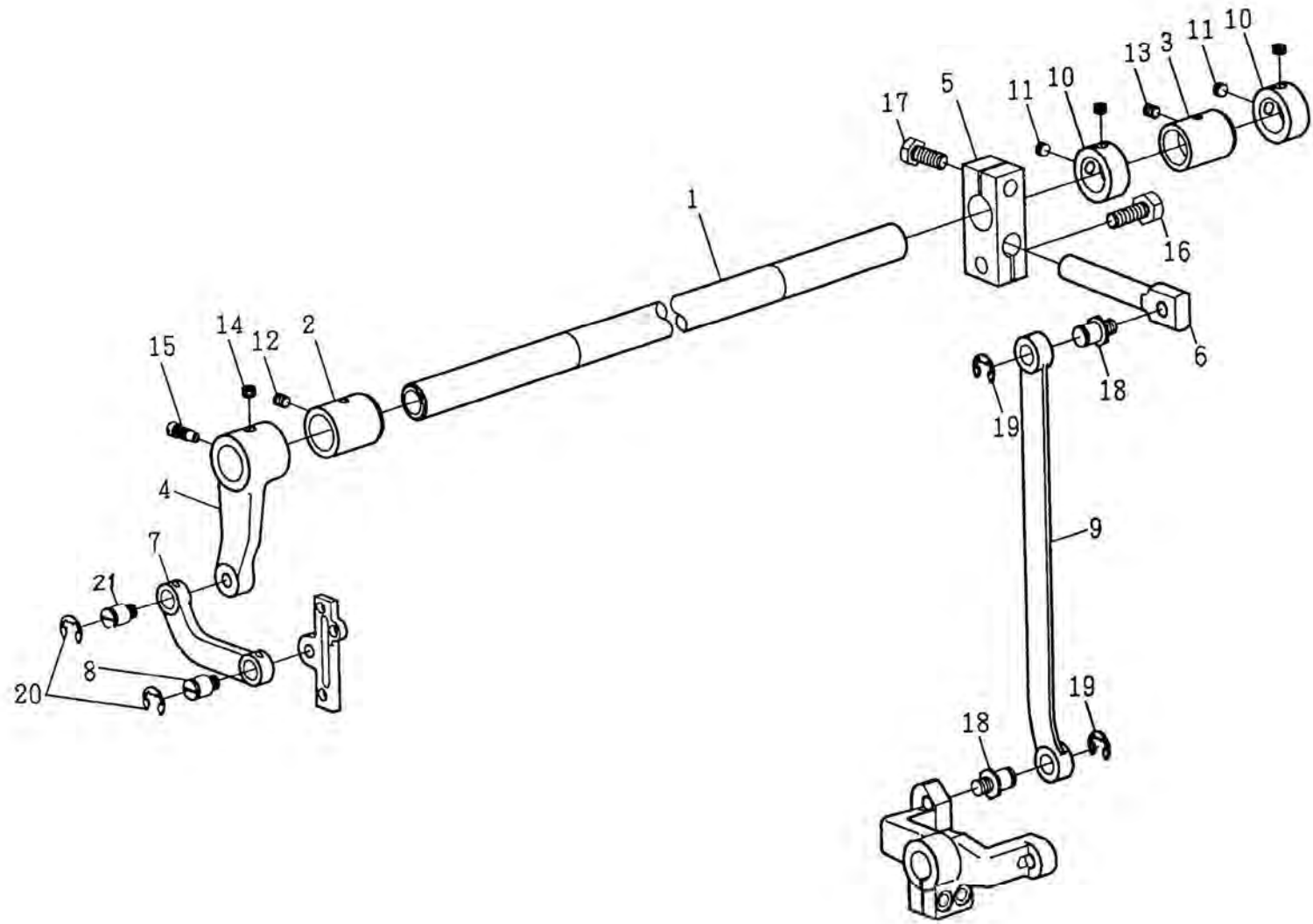


B. CS-461 上軸關係 MAIN SHAFT COMPONENTS

REF.No	NOTE	零件號碼 Part No.	零件名稱	Name of Part	件數 Q'TY	備註 Remarks
1		4610120100	上軸	Main Shaft	1	
2		4710120201	上軸套管(左)	Main Shaft Bushing, Front	1	
3		4710120300	上軸套管(中)	Main Shaft Bushing, Center	1	
4		4710120400	上軸套管(右)	Main Shaft Bushing, Rear	1	
5		4710191301	天秤凸輪	Thread Take Up Cam	1	
6		4410121000	針棒連接器	Needle Bar Crank Rod	1	
7		4710121100	針棒連接座	Crank Plate	1	
8		4710121300	針棒連接軸	Needle Bar Crank Shaft	1	
9		4710122000	偏心輪	Feed Cam	1	
10		4710122100	側板	Side Plate	1	
11		4710122304	皮帶輪	Hand Wheel Asm.	1	
12		4710122500	油棉	Felt	3	
13		4710122601	上軸定環	Thrust Collar	1	
14		XA200160	油線	Oil Wick	2	
15		ZSA15010	螺絲	Screw 15/64-28 L=15	3	
16		ZSH16004	螺絲	Screw 1/4-40 L=6	2	
17		YB040045	推拔銷	Tapered Pin 4.0X45	1	
18		ZSL18001	螺帽	Nut 9/32-28	1	
19		ZSC18001	螺絲	Screw 9/32-28 L=11	2	
20		ZSH15001	螺絲	Screw 15/64-28 L=7	2	
21		ZSG11007	螺絲	Screw 11/64-40	2	
22		ZSD20003	螺絲	Screw 5/16-24 L=21	2	
23		ZSA16025	螺絲	Screw 1/4-40 L=6	2	
24		4710190100	天秤	Thread Take Up Lever	1	
25		4710190200	滾仔	Roller	1	
26	#01	4710190220	滾仔	Roller	(1)	
27	#01	4710190230	滾仔	Roller	(1)	
28		4710190300	滾仔固定軸	Roller Stud	1	
29		ZSG20012	螺絲	Hinge Screw	1	
30		RE000040	E型扣環	E-Shaped Snap Ring (4mm)	1	
31		ZSL18001	螺帽	Nut 9/32-28	1	

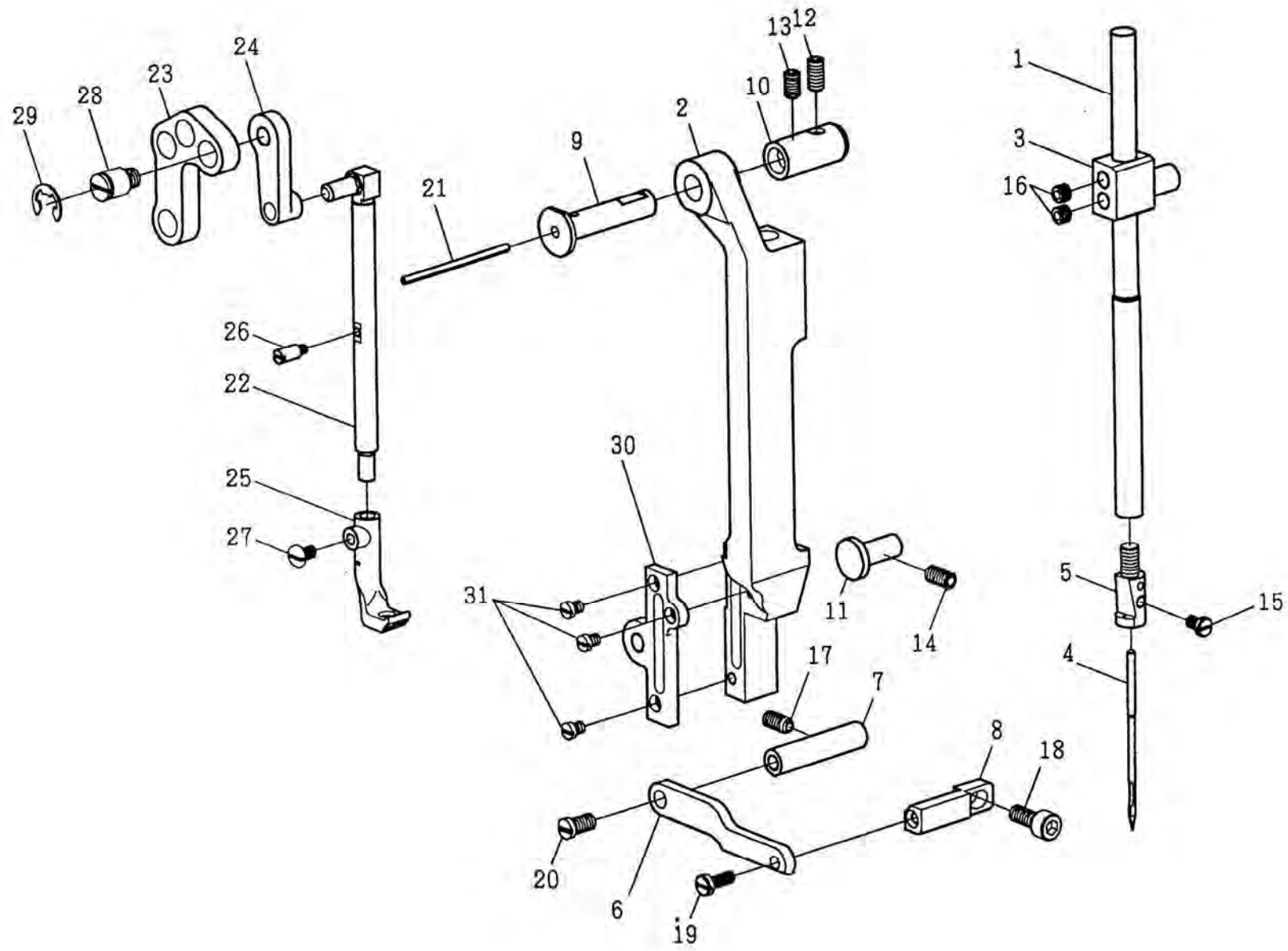
Note (注記) #01. . . . Selective part

選擇部品

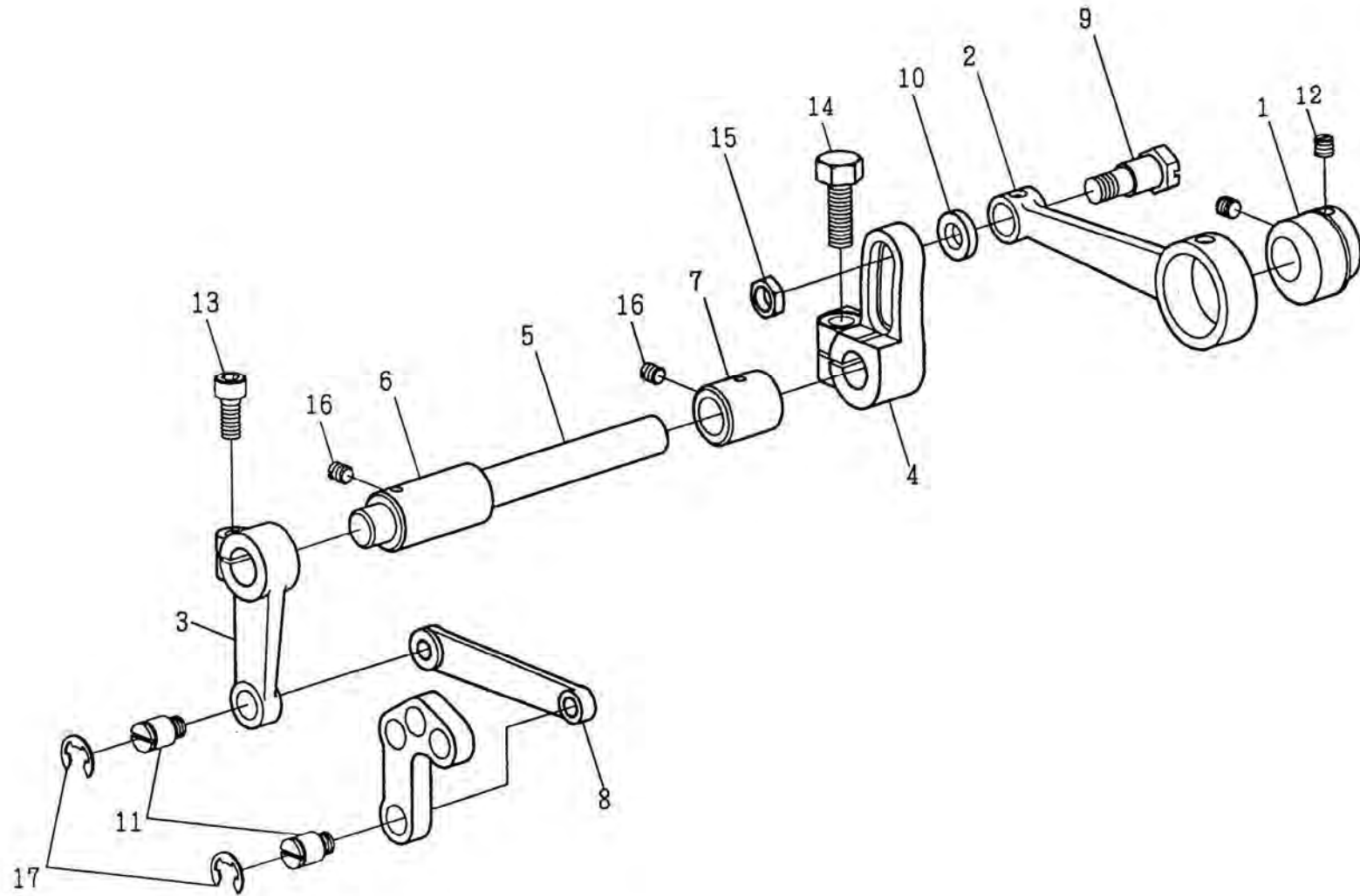


C. CS-461 針棒·上部送料關係 NEEDLE BAR · UPPER FEED MECHANISM COMPONENTS(1/3)

REF.No	NOTE	零件號碼 Part No.	零件名稱	Name of Part	件數 Q'TY	備註 Remarks
1		4610142100	中軸	Driving Shaft	1	
2		4410145600	中軸套管(左)	Driving Shaft Front Metal	1	
3		4710142201	中軸套管(右)	Driving Shaft Rear Metal	1	
4		4410142300	中軸連桿(前)	Driving Shaft Rod , Front	1	
5		4410142400	中軸連桿(後)	Driving Shaft Rod , Rear	1	
6		4410141900	中軸連桿銷(後)	Driving Shaft Rear Arm Pin	1	
7		4410143100	押腳連接桿	Frame Driving Link	1	
8		ZSK18019	螺絲	Hinge Screw	2	
9		4410142000	連桿	Frame Driving Rod	1	
10		LG4043-0A	定環	Thrust Collar D=18 W=12	2	
11		ZSA16010	螺絲	Screw 1/4-40 L=3.5	4	
12		ZSA15028	螺絲	Screw 15/64-28 L=7	1	
13		ZSA15028	螺絲	Screw 15/64-28 L=7	1	
14		ZSH16005	螺絲	Screw 1/4-40 L=4.5	1	
15		ZSB15015	螺絲	Screw 15/64-28 L=14.5	1	
16		ZSD20011	螺絲	Screw 5/16-18 L=23	1	
17		ZSD20009	螺絲	Screw 5/16-18 L=25	1	
18		ZSK20009	螺絲	Hinge Screw	2	
19		RE000080	E型扣環	E-Shaped Snap Ring (8mm)	2	
20		RE000080	E型扣環	E-Shaped Snap Ring (8mm)	2	
21		ZSK18027	螺絲	Hinge Screw	1	



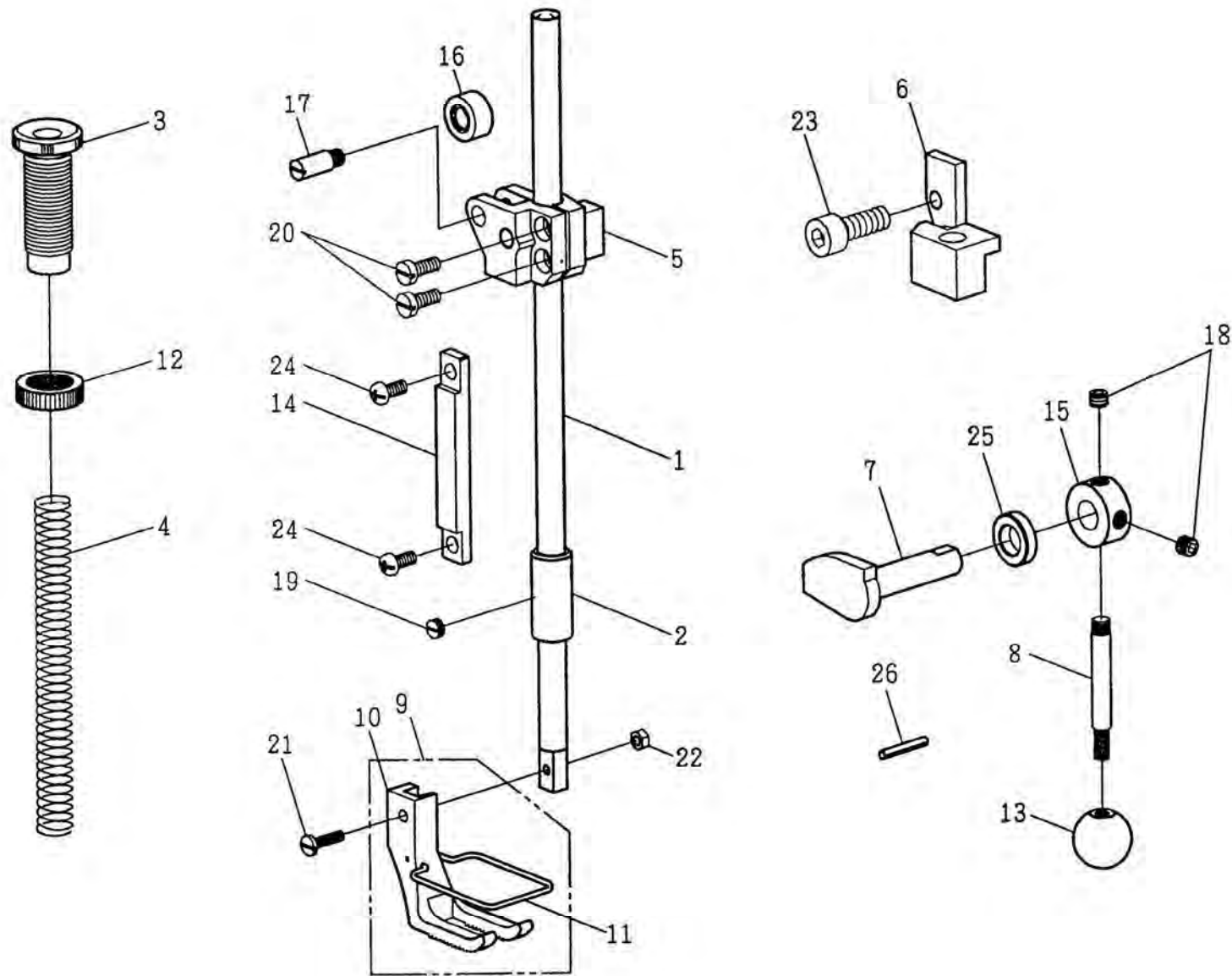
C. CS-461 針棒・上部送料關係 NEEDLE BAR・UPPER FEED MECHANISM COMPONENTS(2/3)						
REF.No	NOTE	零件號碼	零件名稱	Name of Part	件數	備註
		Part No.			Q'TY	Remarks
1		4410140100	針棒	Needle Bar	1	
2		4410270100	針棒座	Frame Driving Base	1	
3		4410140900	針棒鉗	Needle Bar Connection	1	
4		IN794#230	針	Needle (794 Nm=230-4)	1	
5		4410140200	針榴	Needle Stopper	1	
6		4410143700	押板	Pressure Plate	1	
7		4410272300	調節軸	Setting Shaft	1	
8		4410272200	調節板	Setting Plate	1	
9		4410270200	針棒座軸	Frame Driving Base Shaft	1	
10		4410273000	調節軸套管	Frame Driving Base Shaft Metal	1	
11		4410270400	針棒座承受	Frame Driving Base Guide	1	
12		ZMH06005	螺絲	Screw M6 L=12	1	
13		ZMH06010	螺絲	Screw M6 L=10	1	
14		ZMH06005	螺絲	Screw M6 L=12	1	
15		ZSB11022	螺絲	Screw 11/64-40 L=7	1	
16		ZSH16005	螺絲	Screw 1/4-40 L=4.5	2	
17		ZMH06005	螺絲	Screw M6 L=12	1	
18		ZMJ06002	螺絲	Screw M6 L=21	1	
19		ZSB11076	螺絲	Screw 11/64-40 L=12	1	
20		ZSB15004	螺絲	Screw 15/64-28 L=10.5	1	
21		XA200100	油線	Oil Wick	1	
22		4410150100	押棒	Upper Feed Bar	1	
23		4410143600	L型連桿	L Link	1	
24		4410143300	連桿	Upper Feed Frame Driving Link	1	
25		4410151000	內押腳	Pressure Foot	1	
26		4410142900	中壓腳軸	Upper Feed Bar Pin	1	
27		ZSB11041	螺絲	Screw 11/64-40 L=7	1	
28		ZSK18019	螺絲	Hinge Screw	1	
29		RE000080	E型扣環	E-Shaped Snap Ring (8mm)	1	
30		4410151100	押棒座	Upper Feed Bar Driving Base	1	
31		ZSB11042	螺絲	Screw 11/64-40	3	



C. CS-461 針棒・上部送料關係 NEEDLE BAR · UPPER FEED MECHANISM COMPONENTS(3/3)

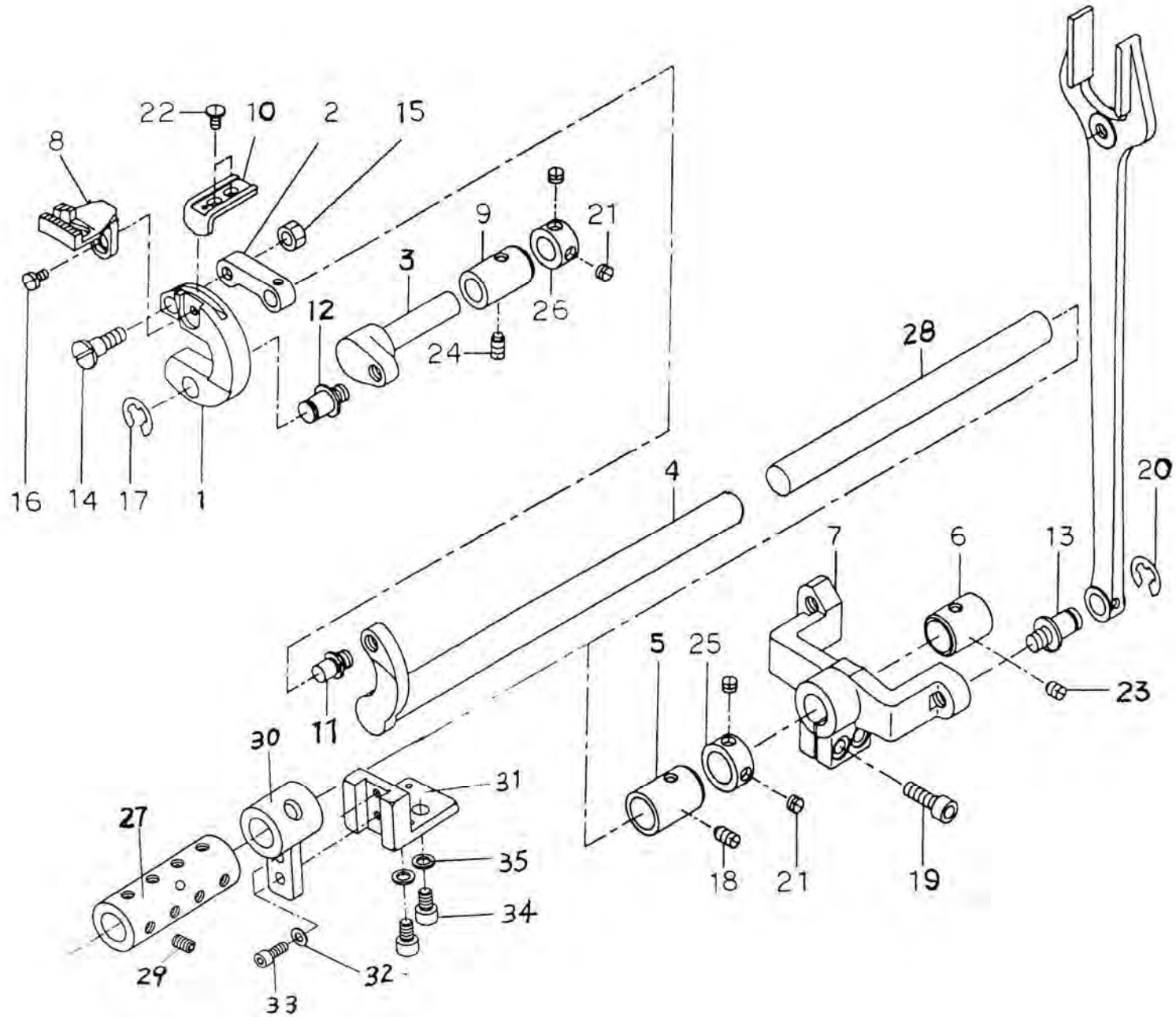
REF.No	NOTE	零件號碼 Part No.	零件名稱	Name of Part	件數 Q'TY	備註 Remarks
1		4710144401	偏心輪	Driving Cam	1	
2		4710144500	連桿	Connecting Rod	1	
3		4710144600	上送軸柄	Driving Shaft Arm, Front	1	
4		4710144700	上送軸曲柄	Driving Shaft Arm, Rear	1	
5		4710144800	上送軸	Feed Rocker Shaft	1	
6		4710144900	上送軸(左)	Bushing, Front	1	
7		4710145000	上送軸(右)	Bushing, Rear	1	
8		4710145100	搖軸連桿	Rod	1	
9		ZSG22002	螺絲	Hinge Screw	1	
10		WH208005	平墊圓	Washer	1	
11		ZSK18019	螺絲	Hinge Screw	2	
12		ZSH16001	螺絲	Screw 1/4-40 L=6	2	
13		ZMJ06002	螺絲	Screw M6 L=21	1	
14		ZSD20011	螺絲	Screw 5/16-18	1	
15		ZSL22001	螺帽	Nut 11/32-28	1	
16		ZSA15028	螺絲	Screw 15/64-28 L=7	2	
17		RE000080	E型扣環	E-Shaped Snap Ring (8mm)	2	

D. CS-461 押脚関係 PRESSURE BAR COMPONENTS



D. CS-461 押脚關係		PRESSURE BAR COMPONENTS				
REF.No	NOTE	零件號碼	零件名稱	Name of Part	件數	備註
		Part No.			Q'TY	Remarks
1		4710150100	押棒	Presser Bar	1	
2		4710150200	押棒套管	Presser Bar Bushing	1	
3		4710150300	螺絲	Screw	1	
4		4410150400	壓縮彈簧	Spring	1	
5		4410150500	押棒堤昇器	Presser Bar Guide Bracket	1	
6		4710150600	壓棒固定座	Hand Lifter Link	1	
7		4710150700	押棒偏心軸	Hand Lifter Cam	1	
8		4710150800	押棒堤桿	Hand Lifter Lever	1	
9		4410143805	外押脚(組)	Pressure Foot (Standard) Asm.	1	
10		4410143800	外押脚	Pressure Foot (Standard)	(1)	
11		4410152500	保護線	Guard	(1)	
12		4710151500	螺帽	Nut	1	
13		4710151600	押棒堤桿握	Grip	1	
14		4710151700	導板	Guide Plate	1	
15		4710151800	定環	Thrust Collar	1	
16		4710151900	滾仔	Roller Follower	1	
17		4710152000	滾仔軸	Guide Pin	1	
18		ZSH16005	螺絲	Screw 1/4-40 L=4.5	2	
19		ZSA16039	螺絲	Screw 1/4-40 L=2.5	1	
20		ZSB12002	螺絲	Screw 3/16-28 L=12	2	
21		ZSB09061	螺絲	Screw 9/64-40 L=13.5	1	
22		ZSL09001	螺帽	Nut 9/64-40	1	
23		ZSJ16001	螺絲	Screw 1/4-40 L=6.5	1	
24		ZSB12016	螺絲	Screw 3/16-32 L=10	2	
25		WA100009	定環	Collar	1	
26		YD030020	彈簧銷	Spring Pin 3.0X20	1	

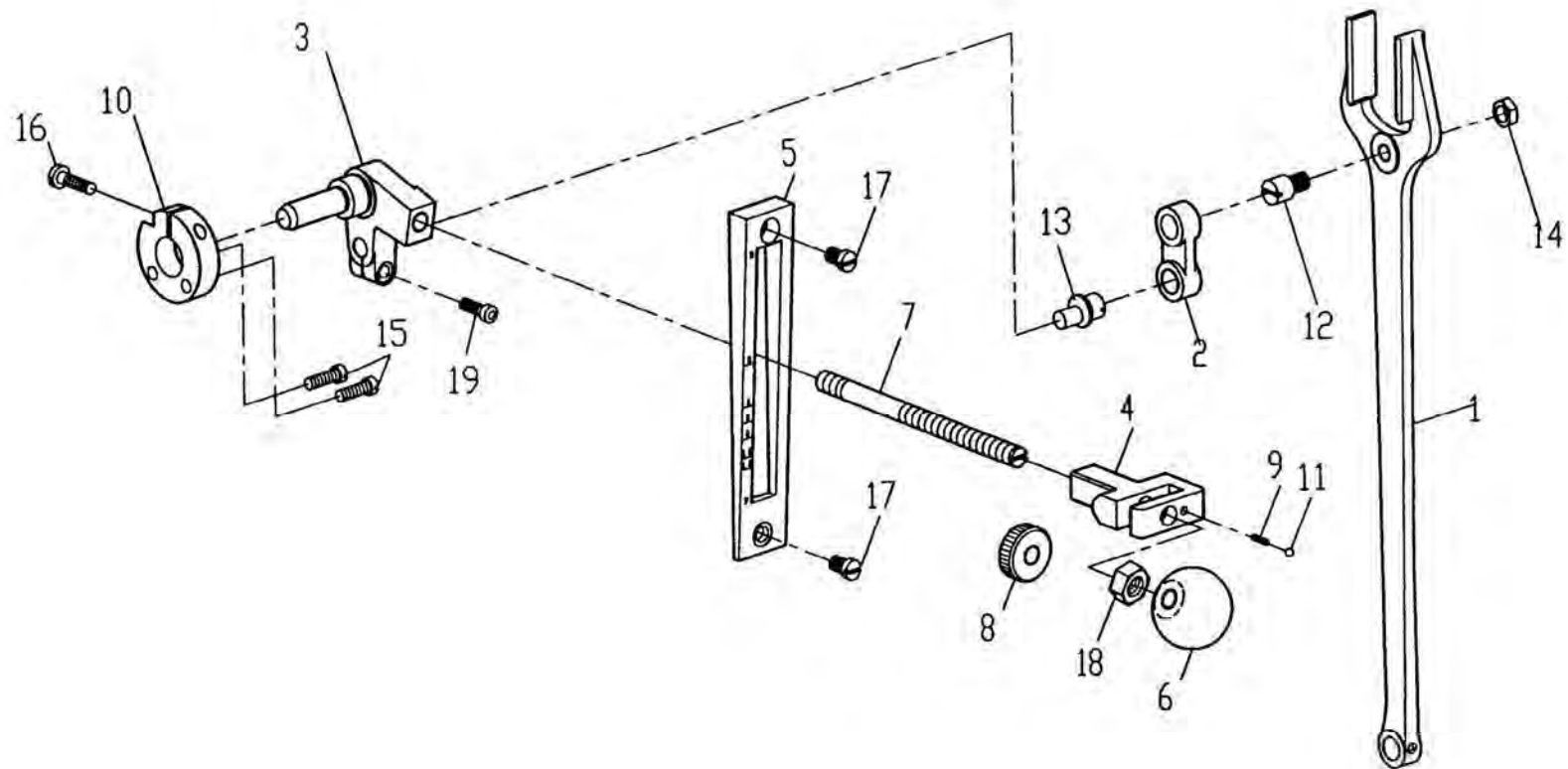
E. CS-461 送料関係 FEED MECHANISM COMPONENTS (1/2)



E、CS-461 送料關係 FEED MECHANISM COMPONENTS (1/2)

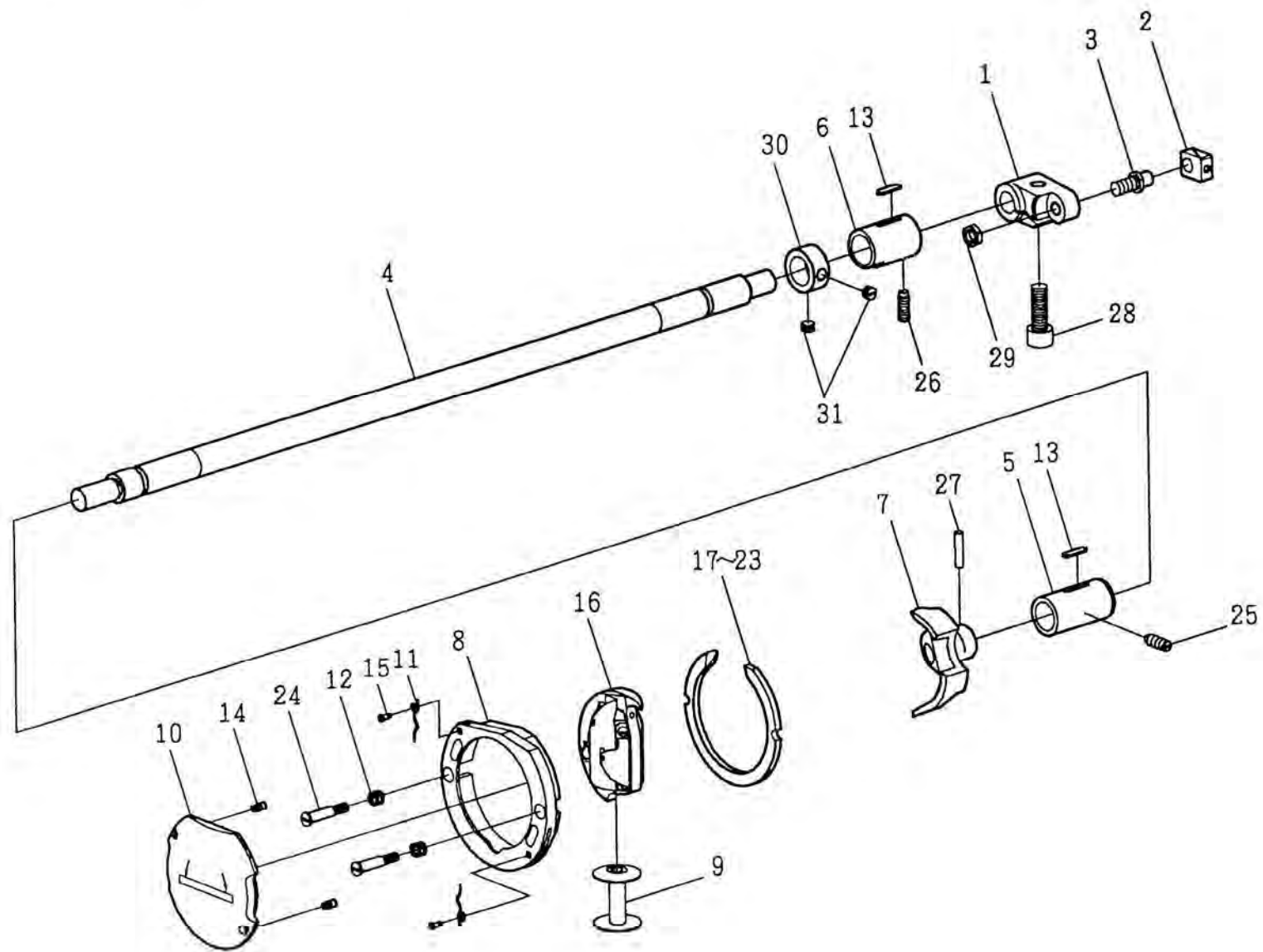
零件號碼 Part No	零件名稱	Name of Part	件數 Q, TY	件號 REF. NO
4710160100	送料台	Feed Bar	1	01
4710160200	送料台連接棒	Feed Bar Link	1	02
4710160300	上下送料軸	Driving Shaft	1	03
461016040A	搖動軸	Feed Rocker Shaft	1	04
4710160600	搖動軸套管(前)	Bushing Front	1	05
4710160700	搖動軸套管(後)	Bushing Rear	1	06
4710160800	搖動曲軸	Feed Rocker Shaft Crank	1	07
4710161400	送料齒	Feed Dog	1	08
4710161700	上下送料軸套管	Driving Shaft Metal	1	09
4710162100	送料台押板	Feed Bar Presser	1	10
ZSK20007	螺絲	Hinge Screw	1	11
ZSK20009	螺絲	Hinge Screw	1	12
ZSK20009	螺絲	Hinge Screw	1	13
ZSG16024	螺絲	Hinge Screw D=7.94 L=8	1	14
ZSL16004	螺母	Nut 1/4-24	1	15
ZSB11041	螺絲	Screw 11/64-40 L=7.8	1	16
RE000080	E形扣環	E-Shaped Snap Ring (8mm)	1	17
ZSA15037	螺絲	Screw 15/64-28 L=10.5	1	18
ZMJ06004	螺絲	Screw M6×1 L=20	2	19
RE000080	E形扣環	E-Shaped Snap Ring (8mm)	1	20
ZSA16039	螺絲	Screw 1/4-40 L=3	4	21
ZSB11035	螺絲	Screw 11/64-40 L=6	2	22
ZSA15028	螺絲	Screw 15/64-28 L=7	1	23
ZSA15037	螺絲	Screw 15/64-28 L=10.5	1	24
LG4044-0A	定環	Thrust Collar D=14.72 W=10	1	25
LG4014-0A	定環	Thrust Collar D=11.11 W=10	1	26
461016040C	水平送料軸繼手	Horizontal Shaft Link	1	27
461016040B	水平送料軸	Horizontal Shaft	1	28
ZMH06008	螺絲	Screw M6×1.0 L=6	8	29
4610160600	下軸支持架	Lower Shaft Bear Up Pedestal	1	30
4610160700	下軸支持固定架	Lower Shaft Bear Up Pedestal	1	31
WA049003	平墊圈	Washer	2	32
ZSJ11001	螺絲	Screw 11/64-40 L=12	2	33
ZMJ06008	螺絲	Screw M6×1.0 L=12	2	34
WH206002	平墊圈	Washer	2	35

E. 送料關係 FEED MECHANISM COMPONENTS (2/2)



E、CS-461 送料關係 FEED MECHANISM COMPONENTS (2/2)

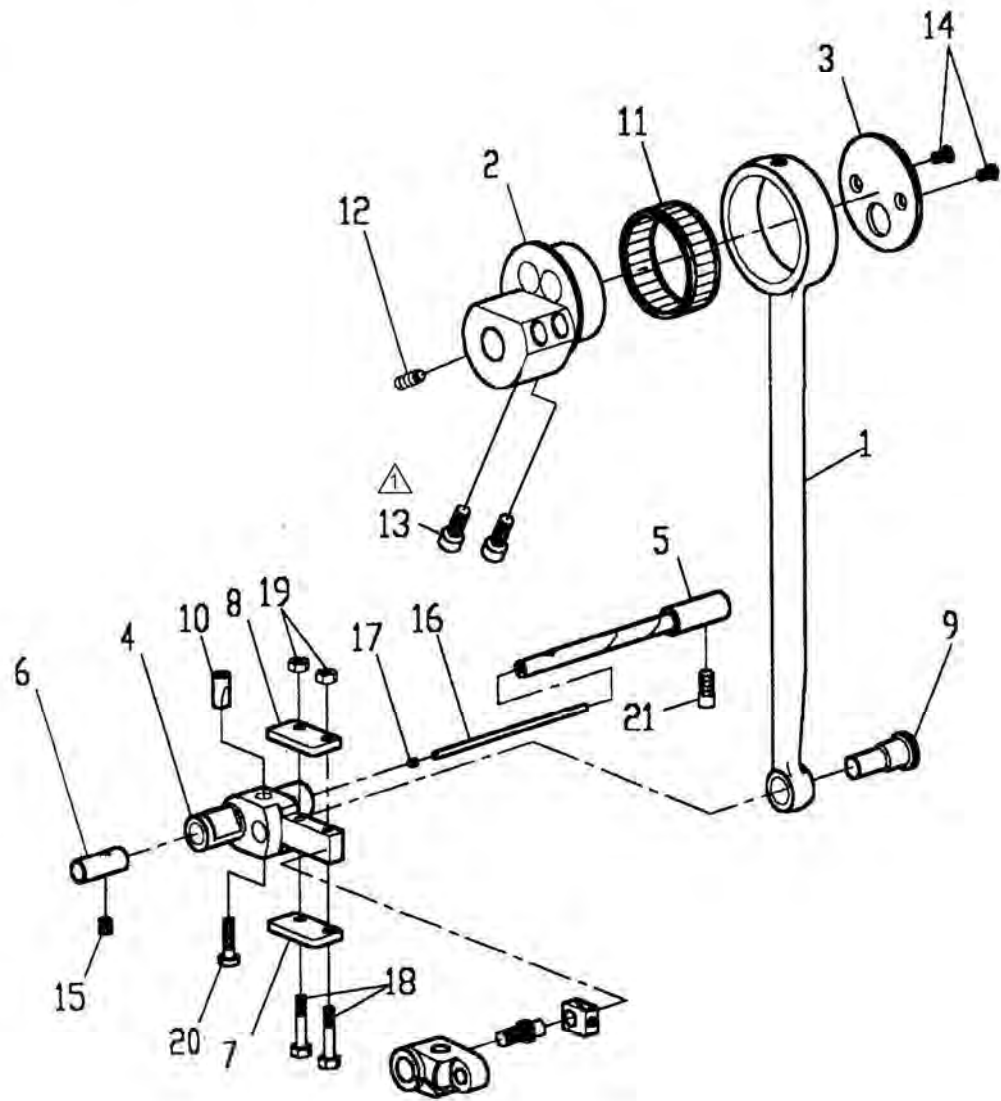
零件號碼 Part No	零件名稱	Name of Part	件數 Q, TY	件號 REF. NO
4710160900	連接叉桿	Rod	1	01
4710161000	送料連桿	Feed Connecting Link	1	02
4710161100	送料調節桿	Feed Regulator	1	03
4710161200	倒針槓桿	Lever	1	04
4710161300	刻度板	Side Cover	1	05
4710161600	調節桿握	Lever Grip	1	06
4710161800	縫目調整桿	Lever Shaft	1	07
4710161900	螺帽	Nut	1	08
4710162000	壓縮彈簧	Spring	1	09
4710162200	固定座	Support Plate	1	10
4710162300	鋼球	Ball	1	11
ZSK18018	螺絲	Hinge Screw	1	12
2430161200	驅動軸	Con-Rod Pin	1	13
ZSL18001	螺母	Nut 9/32-28	1	14
ZSB12015	螺絲	Screw 3/16-28 L=12	2	15
ZSB12036	螺絲	Screw 3/16-32 L=18	1	16
ZSB15019	螺絲	Screw 15/64-28 L=9	2	17
ZML08001	螺母	Nut M8×1.25×6.5	1	18
ZMJ05003	螺絲	Screw M5×0.8×15	1	19



F. CS-461 下軸關係		HOOK DRIVING SHAFT COMPONENTS (1/2)		件數	備註	
REF.No	NOTE	零件號碼	零件名稱	Name of Part	Q'TY	Remarks
		Part No.				
1		4710182500	連接柄	Hook Driving Shaft Crank	1	
2		4710182600	滑塊	Crank Slide Block	1	
3		4710182700	螺絲	Slide Block Stud	1	
4		4610180100	下軸	Hook Driving Shaft	1	
5		4710180301	下軸套管(左)	Bushing, Front	1	
6		4710180500	下軸套管(右)	Bushing, Rear	1	
7		4410181600	梭頭驅動柄	Shuttle Driver	1	
8		4710181400	梭頭導環座	Shuttle Race Body	1	
9		4710183200	梭仔	Bobbin	1	
10		4710183600	梭頭蓋	Hook Cover	1	
11		4710183700	梭頭蓋彈簧	Hook Cover Spring	2	
12		4710183800	壓縮彈簧	Hook Counter Sprig	2	
13		4710183900	油棉	Oil Felt	2	
14		4710184000	螺絲	Screw	2	
15		ZSG06004	螺絲	Hinge Screw D=2.6 L=2.7	2	
16		4710181300	梭頭	Hook Cover	1	
17	#01	4710184210	固定輪	Distance Piece	(1)	
18	#01	4710184220	固定輪	Distance Piece	(1)	
19	#01	4710184230	固定輪	Distance Piece	(1)	
20		4710184200	固定輪 (標準)	Distance Piece (Standard)	1	
21	#01	4710184240	固定輪	Distance Piece	(1)	
22	#01	4710184250	固定輪	Distance Piece	(1)	
23	#01	4710184260	固定輪	Distance Piece	(1)	
24		ZSG12047	螺絲	Screw	2	
25		ZSA15010	螺絲	Screw 15/64-28 L=15	1	
26		ZSA15010	螺絲	Screw 15/64-28 L=15	1	
27		YB040018	推拔銷	Tapered Pin 4.0X18	1	
28		ZMJ08003	螺絲	Screw M8 L=30	1	
29		ZSL18003	螺帽	Nut 9/32-28	1	
30		LG4044-0A	定環	Thrust Collar D=14.72 W=10	1	
31		ZSA16029	螺絲	Screw 1/4-40 L=3.5	2	

Note (注記) #01..... Selective part 選擇部品

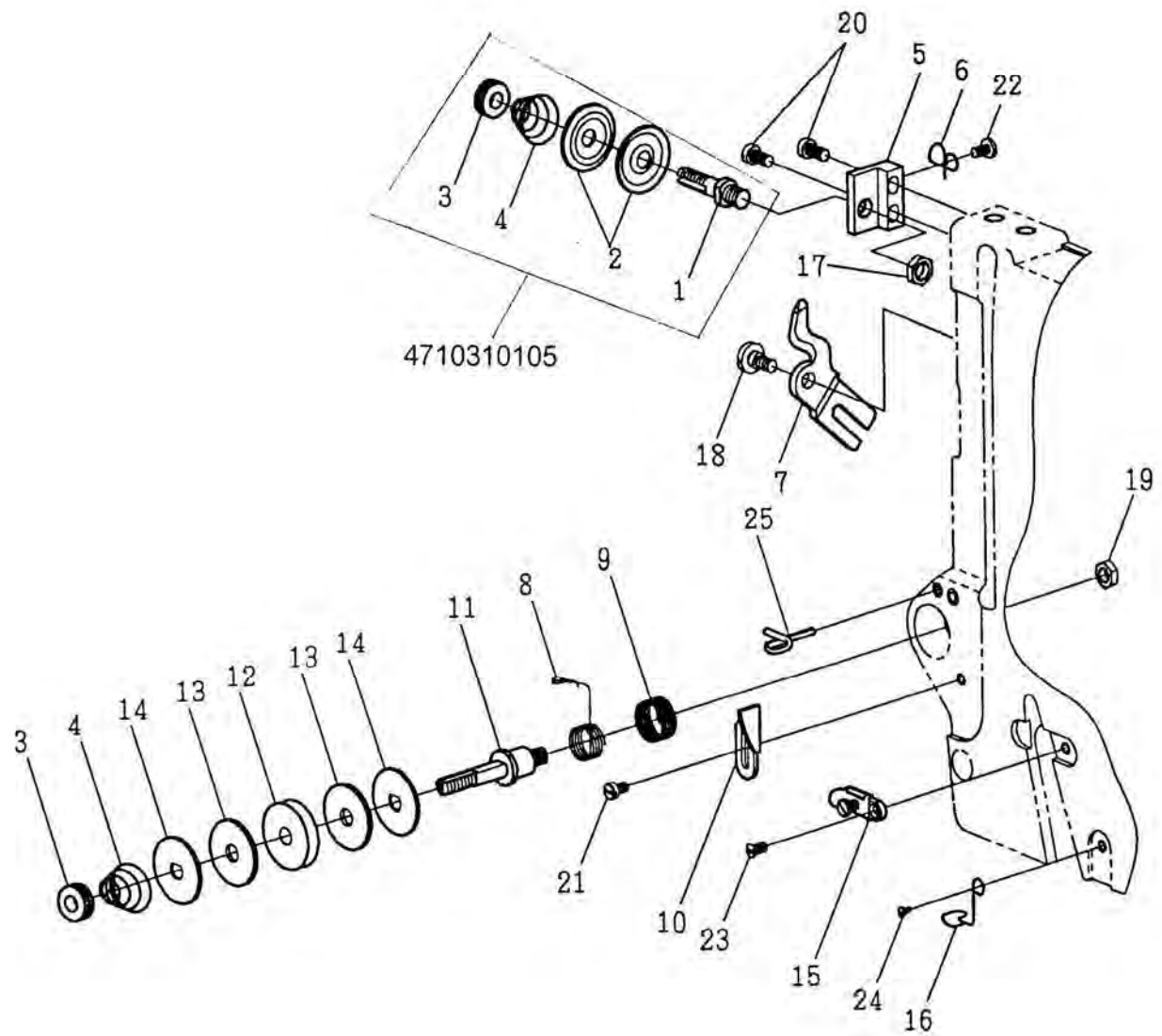
F. 下軸關係 HOOK DRIVING SHAFT COMPONENTS (2/2)



F、CS-461 下軸關係 HOOK DRIVING SHAFT COMPONENTS (2/2)

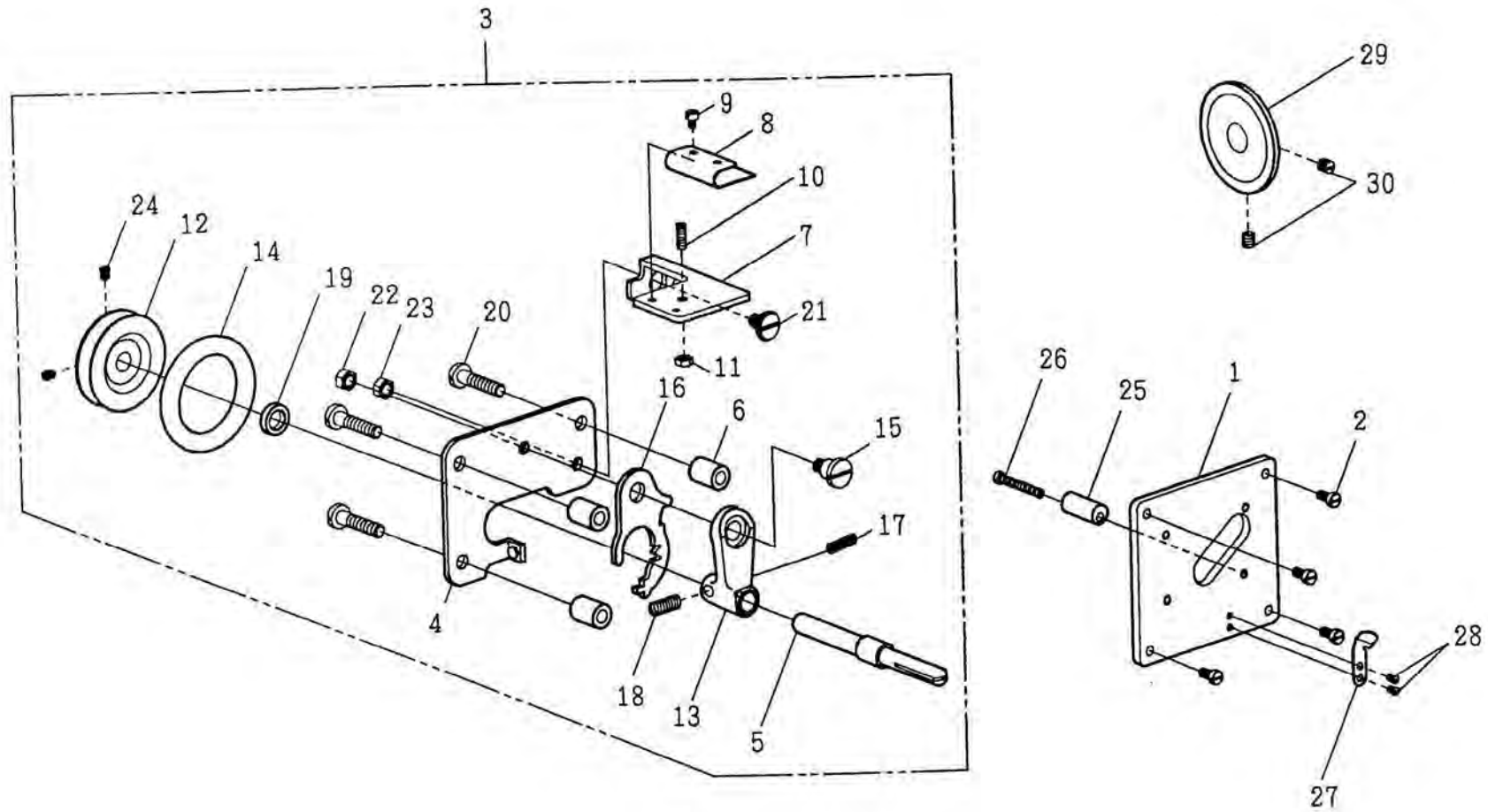
零件號碼 Part No	零件名稱	Name of Part	件數 Q, TY	件號 REF. NO
4710181800	動桿	Connecting Rod	1	01
4710181900	偏心輪	Con-Rod Eccentric Cam	1	02
4710182000	動桿止座	Cam Side Plate	1	03
4710182200	搖動柄	Oscilating Rock Shaft	1	04
4710182300	搖動柄軸	Hinge Pin	1	05
4710182400	搖動柄軸套管	Rock Shaft Bushing	1	06
4710182800	固定板 A	Slide Plate A	1	07
4710182900	固定板 B	Slide Plate B	1	08
4710183000	連結軸	Con-Rod Pin	1	09
4710183100	銷	Con-Rod Pin Wedge	1	10
4710182100	針狀軸承	Cage&Roller	1	11
ZSH15006	螺絲	Screw 15/64-28 L=15	1	12
△ ZMJ08003	螺絲	Screw M8 L=30	2	13
ZSC11002	螺絲	Screw 11/64-40 L=7	2	14
ZSA15028	螺絲	Screw 15/64-28 L=7	1	15
XA300085	油線	Oil Wick	1	16
LG1275-0A	止栓	Plug 2.9×3.2×3	1	17
ZSD11010	螺絲	Screw 11/64-40 L=24	2	18
ZSL11002	螺母	Nut 11/64-40	2	19
ZSB12047	螺絲	Screw 3/16-32 L=18	1	20
ZSJ15001	螺絲	Screw 15/64-28 L=10.7	1	21
取消 △ 4710183400	銷	Pin	2	22
取消 △ WA060008	平墊圈	Washer	2	23

G. CS-461 糸調子関係 TENSION POST COMPONENTS

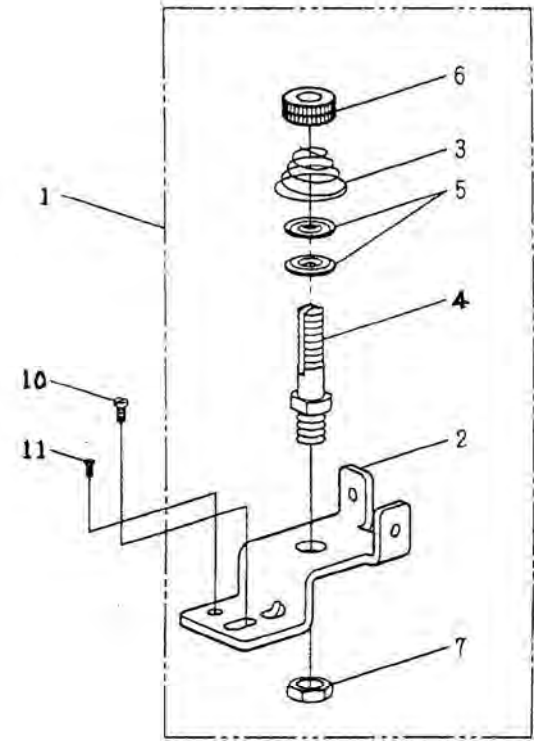
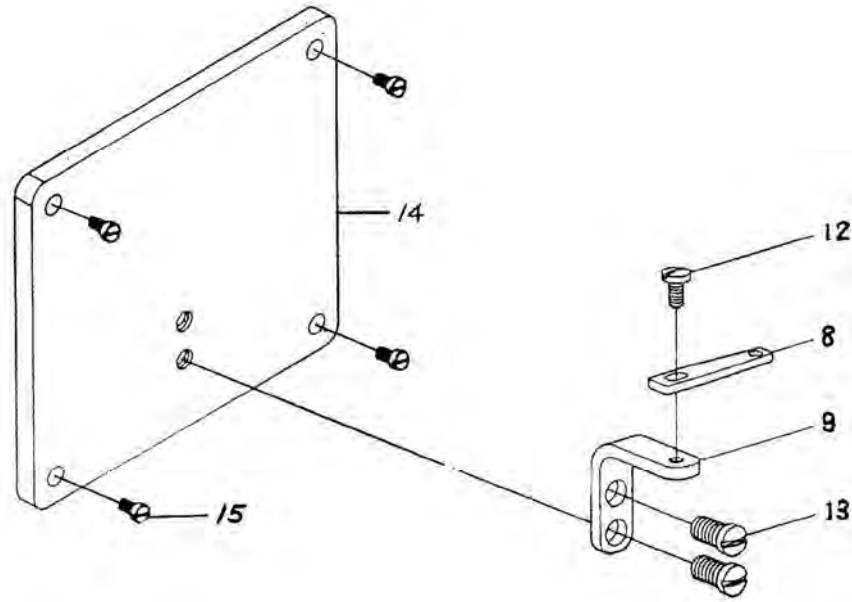


G. CS-461 系調子關係 TENSION POST COMPONENTS

REF.No	NOTE	零件號碼 Part No.	零件名稱	Name of Part	件數 QTY	備註 Remarks
1		4710310100	調整螺絲桿	Thread Tension Post	1	
2		A1025-0A	壓線盤	Tension Disk	2	
3		ZSN16004	螺帽	Thread Tension Stud Nut	2	
4		4710310400	調整彈簧	Thread Tension Spring	2	
5		4710310500	彈簧座	Thread Tension Post Bracket	1	
6		4710310600	線掛	Thread Tension Guide	1	
7		4710310700	鬆線銷	Thread Releasing Plate	1	
8		4710310800	吊線彈簧	Spring A	1	
9		4710310900	吊線彈簧	Spring B	1	
10		4710311000	線軸彈簧調整器	Spring Support Plate	1	
11		4710311100	調整螺絲桿	Thread Tension Wheel Post	1	
12		4710311200	調整線輪	Thread Tension Wheel	1	
13		XB123001	棉環	Wheel Felt	2	
14		4710311400	棉環側盤	Felt Support Plate	2	
15		4710311605	線掛組	Arm Thread Guide Bottom Asm.	1	
16		4710312000	線掛(下)	Frame Thread Guide	1	
17		ZSL18003	螺帽	Nut 9/32-28	1	
18		ZSG12046	螺絲	Hinge Screw D=6.0 L=3.2	1	
19		ZSL15002	螺帽	Nut 15/64-28	1	
20		ZSB11011	螺絲	Screw 11/64-40 L=9	2	
21		ZSB09014	螺絲	Screw 9/64-40 L=6.0	1	
22		ZSB09047	螺絲	Screw 9/64-40 L=7	1	
23		ZSC09005	螺絲	Screw 9/64-40 L=5	1	
24		ZSB09047	螺絲	Screw 9/64-40 L=7	1	
25		4710113300	線掛	Thread Guide	1	



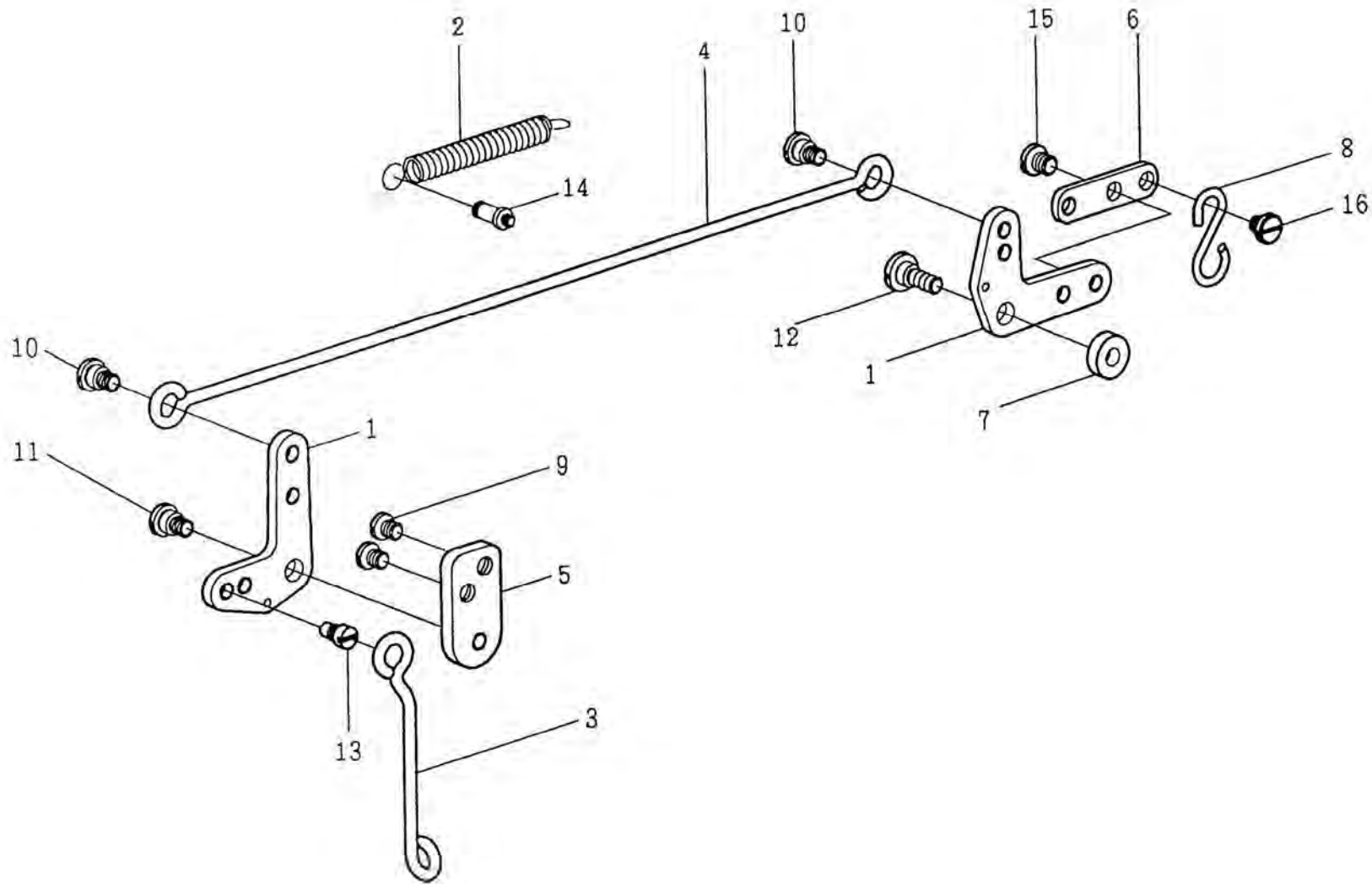
H. CS-461 捲線器·線掛關係 THREAD WINDER & THREAD GUIDE COMPONENTS (1/2)				件數	備註	
REF.No	NOTE	零件號碼	零件名稱	Name of Part	Q'TY	Remarks
		Part No.				
			窓板	Thread Winder Plate	1	
1		4710320100	螺絲	Screw 11/64-40 L=9	4	
2		ZSB11011	捲線器組	Thread Winder Asm.	1	
3		4710320805	下線捲線板	Thread Winder Base	(1)	
4		4710320800	梭仔軸	Thread Winder Shaft	(1)	
5		4710320900	定位保持銷	Spacer	(3)	
6		4710321000	壓力板	Bobbin Presser	(1)	
7		4710321100	彈簧板	Bobbin Presser Spring	(1)	
8		4710321200	螺絲	Screw 3/32-56 L=3.3	(2)	
9		ZSB06008	螺絲	Adjusting Screw	(1)	
10		ZSA08007	螺帽	Nut 1/8-44	(1)	
11		ZSL08001	驅動輪	Bobbin Winder Wheel	(1)	
12		4710321300	捲線柄	Bobbin Winder Frame	(1)	
13		4710321400	護膜輪	Wheel Ring	(1)	
14		4710322000	螺絲	Hinge Screw	(1)	
15		ZSG11059	捲線壓力板	Bobbin Winder Tension Bracket	(1)	
16		4710321500	壓縮彈簧	Spring	(1)	
17		4710321600	捲線壓縮彈簧	Bobbin Winder Spring	(1)	
18		4710321800	定環	Thread Winding Shaft Collar	(1)	
19		4710321900	螺絲	Screw 11/64-40 L=18	(3)	
20		ZSB11083	螺絲	Hinge Screw D=7.24 L=1.9	(1)	
21		ZSG11057	螺帽	Nut 11/64-40	(1)	
22		ZSL11007	螺帽	Nut 11/64-40	(1)	
23		ZSL11007	螺絲	Screw 11/64-40 L=5	(2)	
24		ZSA11003	定位銷	Stopper	1	
25		4710320300	螺絲	Screw 11/64-40 L=30	1	
26		ZSB11071	切線保持板	Thread Cut & Clamp Plate	1	
27		4710320400	螺絲	Screw 1/8-44 L=4	2	
28		ZSB08008	摩擦輪	Friction Wheel	1	
29		4710320500	螺絲	Screw 15/64-28 L=7	2	
30		ZSA15028				



H. CS-461 捲線器·線掛關係 THREAD WINDER & THREAD GUIDE COMPONENTS (2/2)

REF.No	NOTE	零件號碼 Part No.	零件名稱	Name of Part	件數 Q'TY	備註 Remarks
1		4710313005	壓力調整器組	Thread Winder Guide Base Asm.	1	
2		4710313000	壓力調整器台	Thread Winder Guide Base	(1)	
3		4710313100	調整彈簧	Tension Sping	(1)	
4		4710310100	調整螺絲桿	Thread Tension Post	(1)	
5		A1025-0A	壓線盤	Tension Disk	(2)	
6		ZSN16004	螺帽	Thread Tension Stud Nut	(1)	
7		ZSL18003	螺帽	Nut 9/32-28	(1)	
8		4710322200	線掛	Thread Guide	1	
9		4710322300	線掛座	Guide Bracket	1	
10		ZSB11015	螺絲	Screw 11/64-40 L=8.5	1	
11		ZSB08001	螺絲	Screw 1/8-44 L=6	1	
12		ZSB09047	螺絲	Screw 9/64-40 L=7	1	
13		ZSB15004	螺絲	Screw 15/64-28 L=10.5	2	
14		4610113600	窓板	Thread Winder Plate	1	
15		ZSB11011	螺絲	Screw 11/64-40 L=9	4	

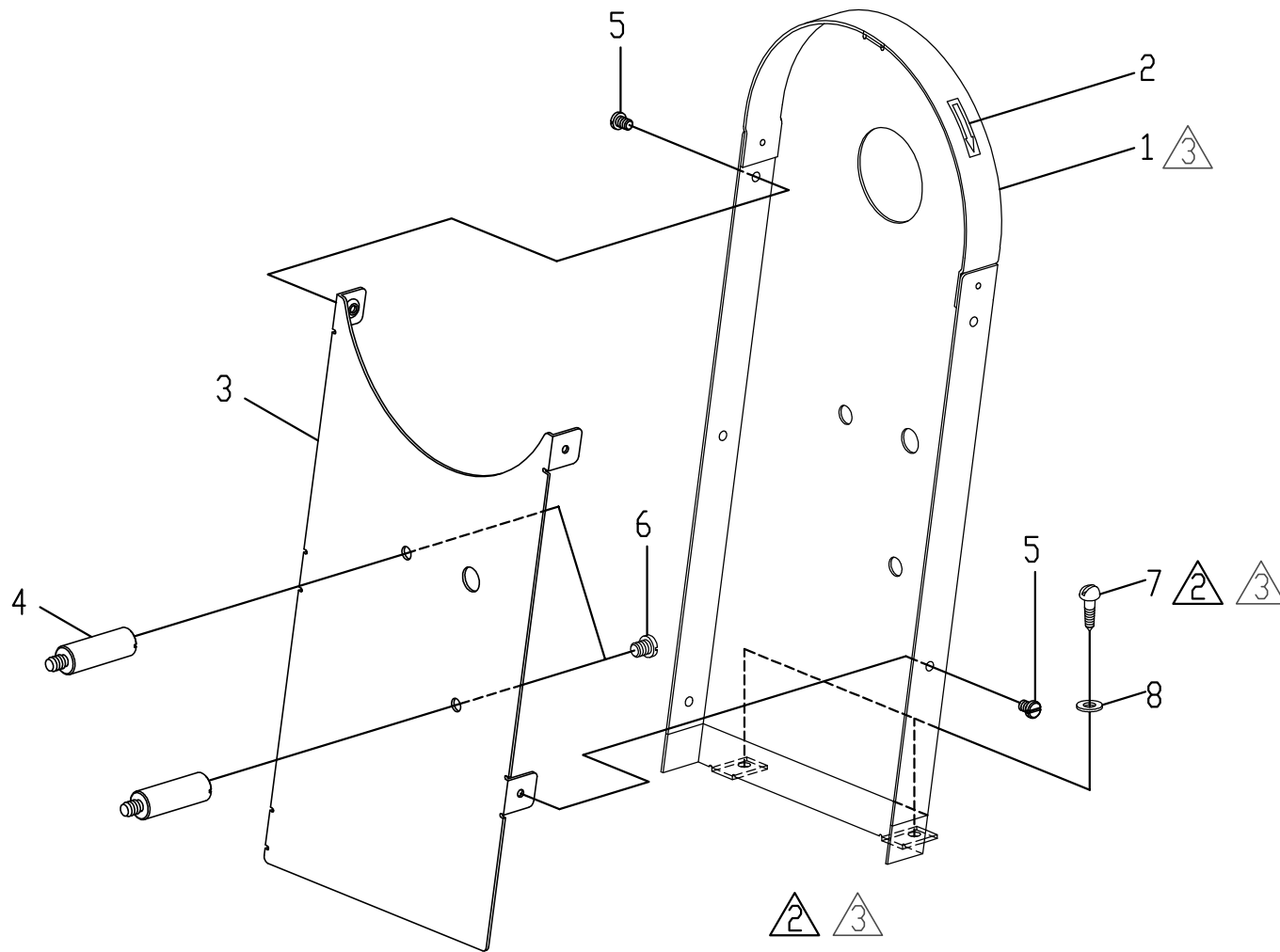
I. CS-461 膝上關係 KNEE LIFTER COMPONENTS



I. CS-461 膝上關係 KNEE LIFTER COMPONENTS

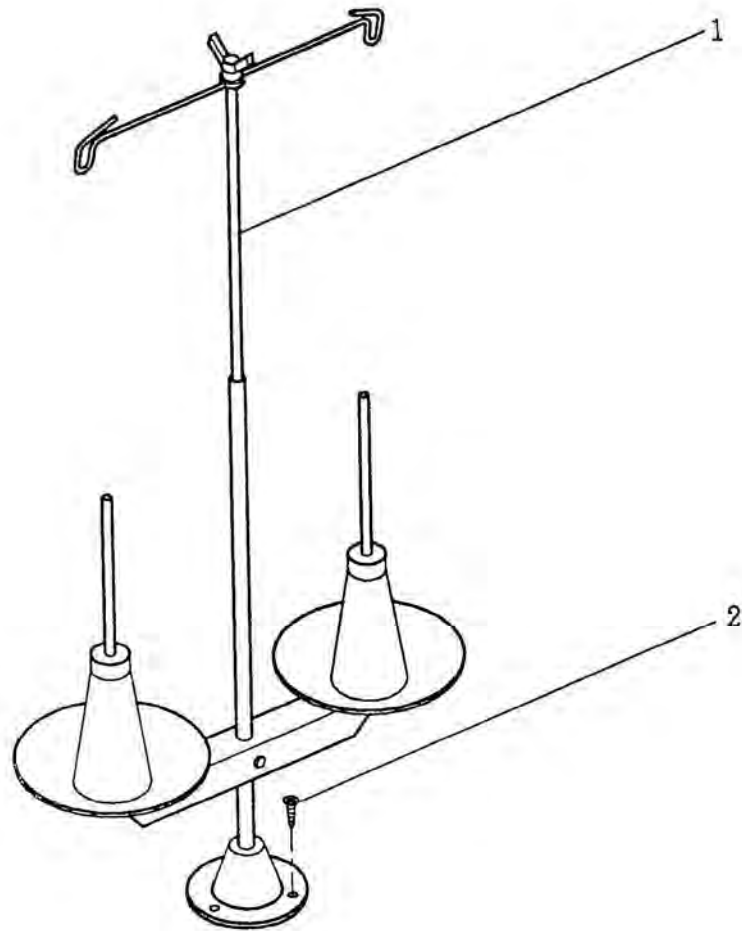
REF.No	NOTE	零件號碼	零件名稱	Name of Part	件數	備註
		Part No.			Q'TY	Remarks
1		4710340100	押棒上升臂	Presser Bar Lifting Link	2	
2		4710340200	拉伸彈簧	Presser Bar Lifting Spring	1	
3		4710340300	押棒上升桿	Presser Bar Lifting Bar	1	
4		4610340400	壓棒堤昇桿	Side Connecting Bar	1	
5		4710340500	支持板	Link Base	1	
6		4710340600	連結板	Link Plate	1	
7		4710340700	定環	Link Collar	1	
8		4710340800	S型銷	S-Plug	1	
9		ZSB15001	螺絲	Screw 15/64-28 L=6.5	2	
10		ZSG15060	螺絲	Hinge Screw D=7.94 L=4.3	2	
11		ZSG15045	螺絲	Hinge Screw D=7.94 L=4.3	1	
12		ZSG15046	螺絲	Hinge Screw D=7.94 L=4.3	1	
13		4710341200	螺絲	Hinge Screw	1	
14		ZSK11037	彈簧鉤螺絲	Spring Suspension	1	
15		ZSB15001	螺絲	Screw 15/64-28 L=6.5	2	
16		ZSG16025	螺絲	Hinge Screw D=8.0 L=3.4	1	

J. CS-461 皮帶套關係 BELT COVER COMPONENTS



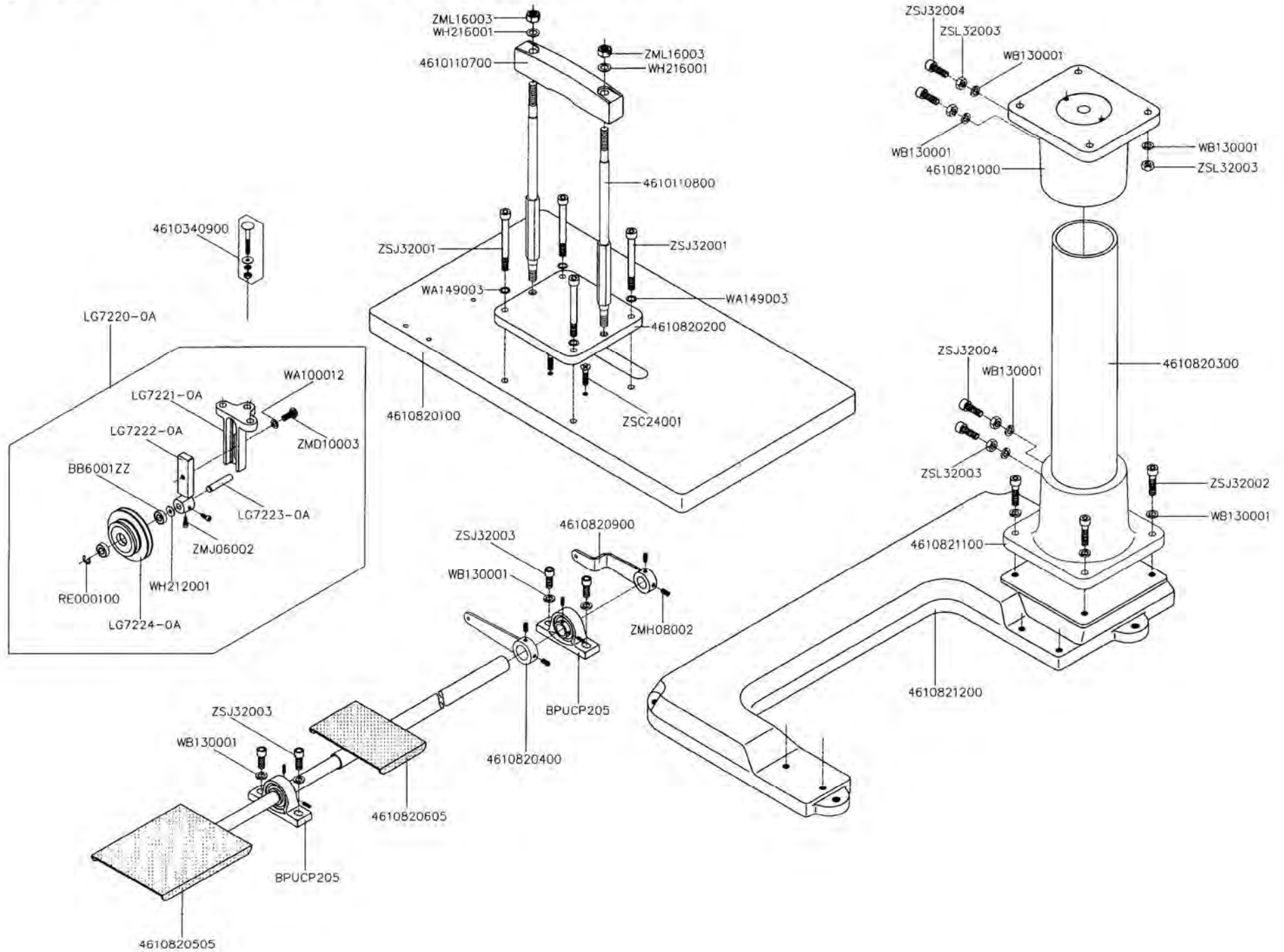
J. CS-461 皮帶蓋關係 BELT COVER COMPONENTS

項次	零件號碼	零件名稱	Name of Part	件數	備註
No	Part No			Q'TY	Remarks
△3 1	4610335100	皮帶蓋 A	Belt Cover A	1	
2	4710335400	方向指示片	Direction Lavel	1	
3	4710335200	皮帶蓋 B	Belt Cover B	1	
4	4710335300	皮帶蓋固定螺絲	Belt Cover Stud	2	
5	ZSB11008	螺絲	Screw (11/64-40x5)	5	
6	ZSB15001	螺絲	Screw (15/64-28x6.5)	2	
△3 7	ZMT05003	木螺絲	Wood Screw	2	
8	WA059005	墊圈	Washer	2	



K. CS-461 線架關係 THREAD STAND COMPONENTS

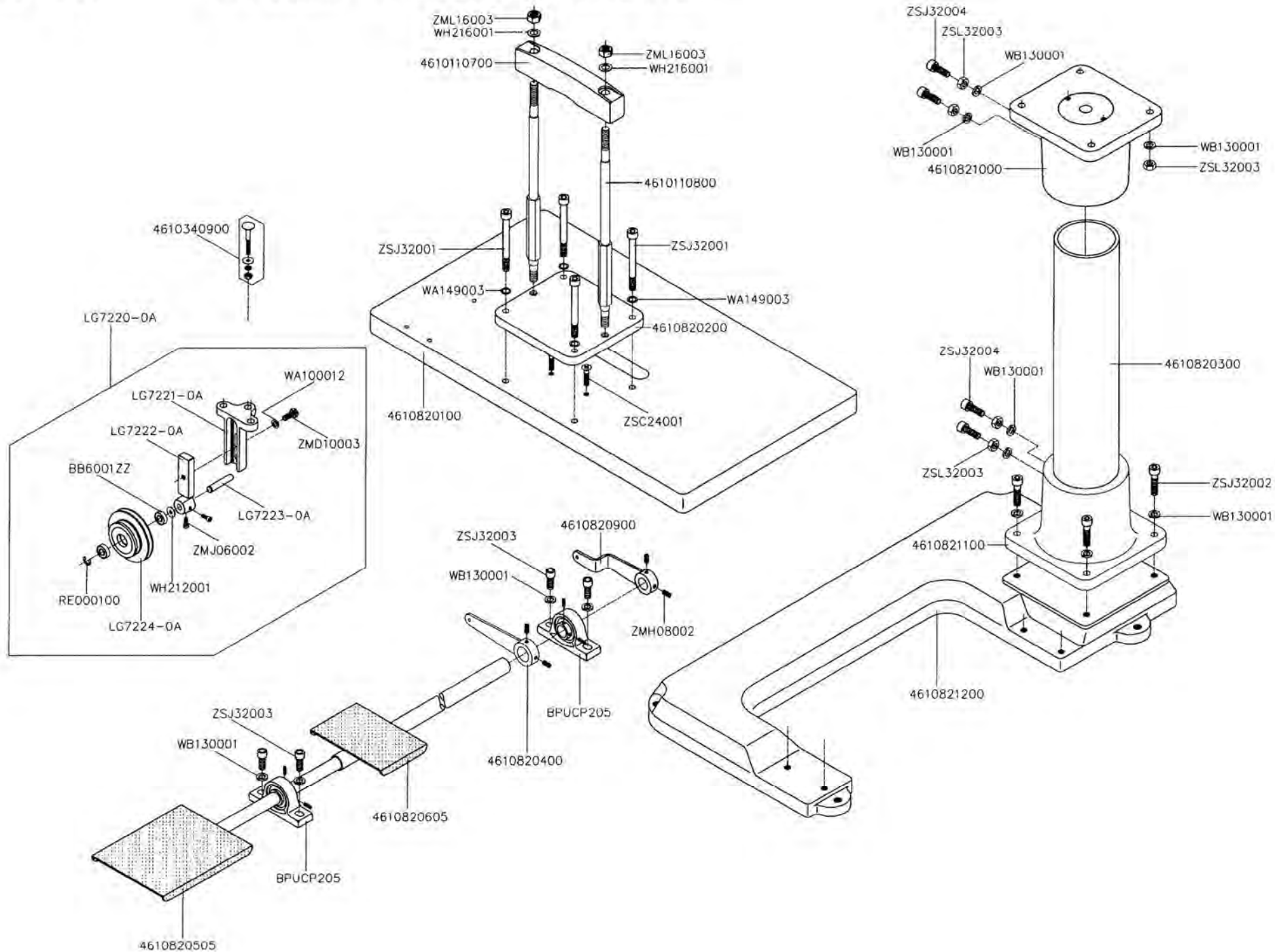
REF.No	NOTE	零件號碼 Part No.	零件名稱	Name of Part	件數 Q'TY	備註 Remarks
1		A7050-0A	線架	Shread Stand	1	
2		ZMT05001	木螺絲	Wood Screw L=18	3	



L、CS-461

針車板關係 TABLE COMPONENTS

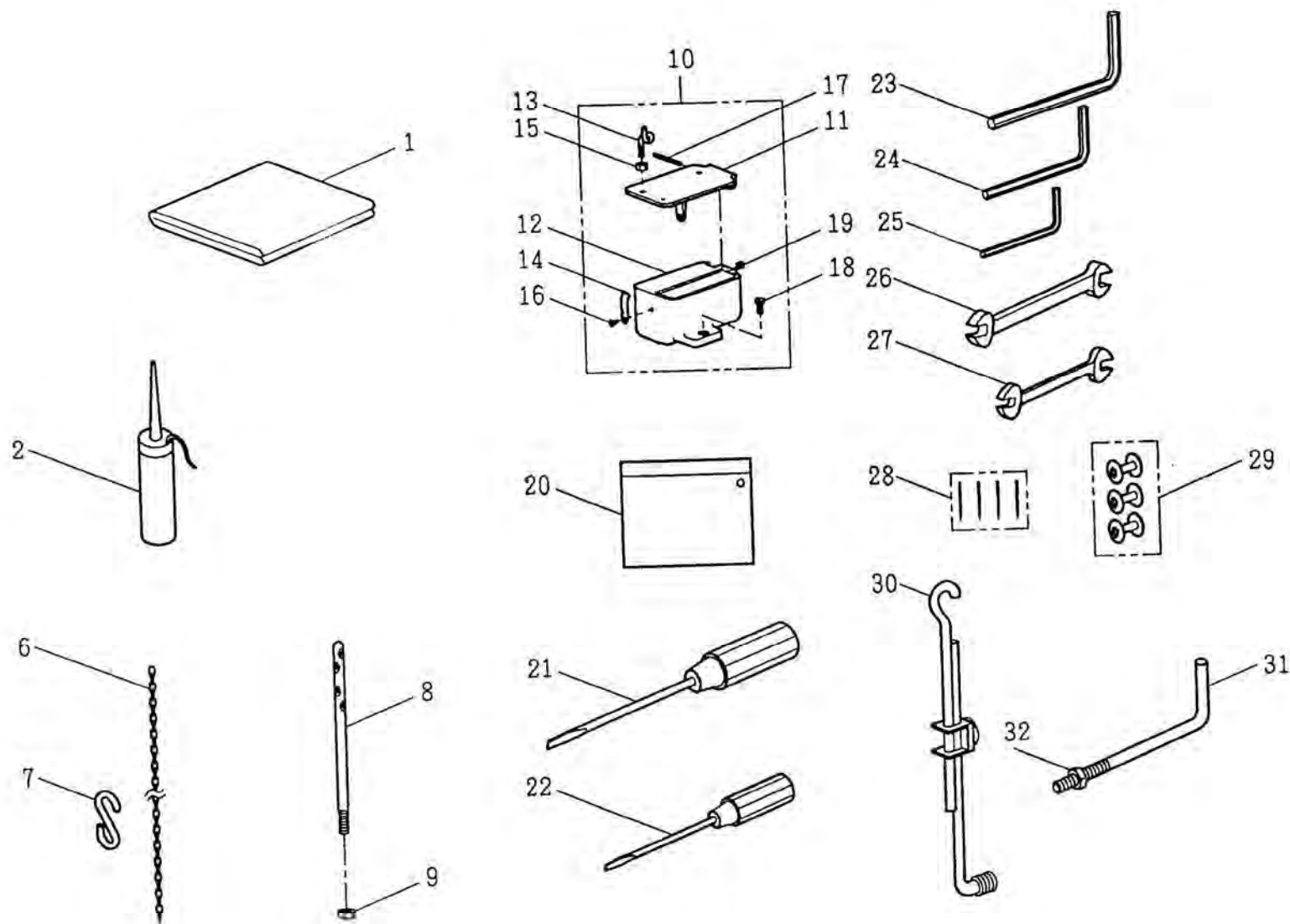
零件號碼 Part No	零件名稱	Name of Part	件數 Q, TY	備註 Remarks
4610110700	車頭押板	Security Plate	1	
4610110800	車頭押板固定螺絲	Screw	2	
4610340900	螺絲組	Screw Assy.	3	
4610820100	車板	Table	1	
4610820200	底座墊板	Base Board	1	
4610820300	車架支持管	Take Part With Pedestal	1	
4610820400	腳踏板連桿	Pedal Link Plate	1	
4610820505	腳踏板組	Pedal Assembly	1	
4610820605	腳踏板組	Pedal Assembly	1	
4610820900	馬達連桿	Motor link plate	1	
4610821000	車架上座	Pedestal (Upper)	1	
4610821100	車架下座	Pedestal (Lower)	1	
4610821200	車架底盤	Bedrock	1	
BB6001ZZ	軸承	Ball Bearing	2	
BPUCP205	連座軸承	Pillow-type Ball Bearing	2	
LG7220-0A	輔助輪組	Assist Wheel Assy.	1	
LG7221-0A	輔助輪座	Assist Wheel Pedestal	1	
LG7222-0A	輔助輪滑架	Assist Wheel Slide Pedestal	1	
LG7223-0A	輔助輪支軸	Shaft	1	
LG7224-0A	皮帶輪	Pulley	1	
RE000100	E形扣環	E-Ring	1	
WA100012	墊片	Washer	1	
WA149003	墊片	Washer	4	
WB130001	彈簧墊圈	Spring Washer	16	
WH212001	墊片	Washer	1	
WH216001	平墊圈	Washer	2	
ZMD10003	螺絲	Screw (M10×1.5×30)	1	
ZMH08002	螺絲	Screw (M8×1.25×12)	4	
ZMJ06002	螺絲	Screw (M6×1.0×15)	2	
ZML16003	螺母	Nut (M16×2×12.5)	2	



L、CS-461

針車板關係 TABLE COMPONENTS

零件號碼 Part No	零件名稱	Name of Part	件數 Q, TY	備註 Remarks
ZSC24001	螺絲	Screw (3/8-16 × 63.5)	2	
ZSJ32001	螺絲	Screw (1/2-12 × 127)	4	
ZSJ32002	螺絲	Screw (1/2-12 × 45)	4	
ZSJ32003	螺絲	Screw (1/2-12 × 32)	4	
ZSJ32004	螺絲	Screw (1/2-12 × 38)	4	
ZSL32003	螺母	Nut (1/2-12 × 9)	8	



M. CS-461 附件 ACCESSORIES PARTS COMPONENTS

REF.No	NOTE	零件號碼 Part No.	零件名稱	Name of Part	件數 QTY	備註 Remarks
1		4710910900	車頭蓋	Cover	1	
2		A7012-1A	油壺	Oiler Asm.	1	
6		4710341400	鎖	Chain	1	
7		4710340800	S型銷	S-Plug	1	
8		4710113400	線柱	Needle Thread Guide Pin	1	
9		ZSL12003	螺帽	Nut 3/16-32	1	
10		4710911005	油壺組	Oil Pot Asm.	1	
11		4710911100	油壺蓋	Oil Pot Cover	(1)	
12		4710911000	油壺	Oil Pot	(1)	
13		4710911200	線案内	Frame Thread Guide	(1)	
14		4710911300	彈簧板	Cover Stopper	(1)	
15		ZSL06001	螺帽	Nut 3/32-56	(1)	
16		ZSB09047	螺絲	Screw 9/64-40 L=6.8	(1)	
17		4710911400	銷	Pin	(1)	
18		ZSB15005	螺絲	Screw 15/64-28 L=12	(1)	
19		ZSA09005	螺絲	Screw 9/64-40 L=3.5	(1)	
20		A7000-0A	工具袋	Accessory Box	1	
21		A7010-2A	螺絲起子(大)	Screw Driver, Large	1	
22		A7010-0A	螺絲起子(小)	Screw Driver, Small	1	
23		TLA050	六角型螺絲起子5mm	Hexagonal Wrench Key(5mm)	1	
24		TLA040	六角型螺絲起子4mm	Hexagonal Wrench Key(4mm)	1	
25		TLA030	六角型螺絲起子3mm	Hexagonal Wrench Key(3mm)	1	
26		TRB12 × 14	開口板手(11 × 14)	Wrench (11X14)	1	
27		TRB09 × 10	開口板手(9 × 10)	Wrench (9X10)	1	
28		IN794#230	針	Needle (794 Nm=230-4)(DY × 3#25)	1	
29		4710183200	梭仔	Bobbin	3	
30 #02	0		連結桿組	Motor Connecting Rod Asm.	1	
31 #01	2430913600		檢出器定位銷	Supporting Arm	1	
32 #01	ZSL15004		螺帽	Nut 15/64-28	1	
	Note (注記)	#01.	Optional part	特別注文部品		
		#02.	H & M only	H & M 出荷時		

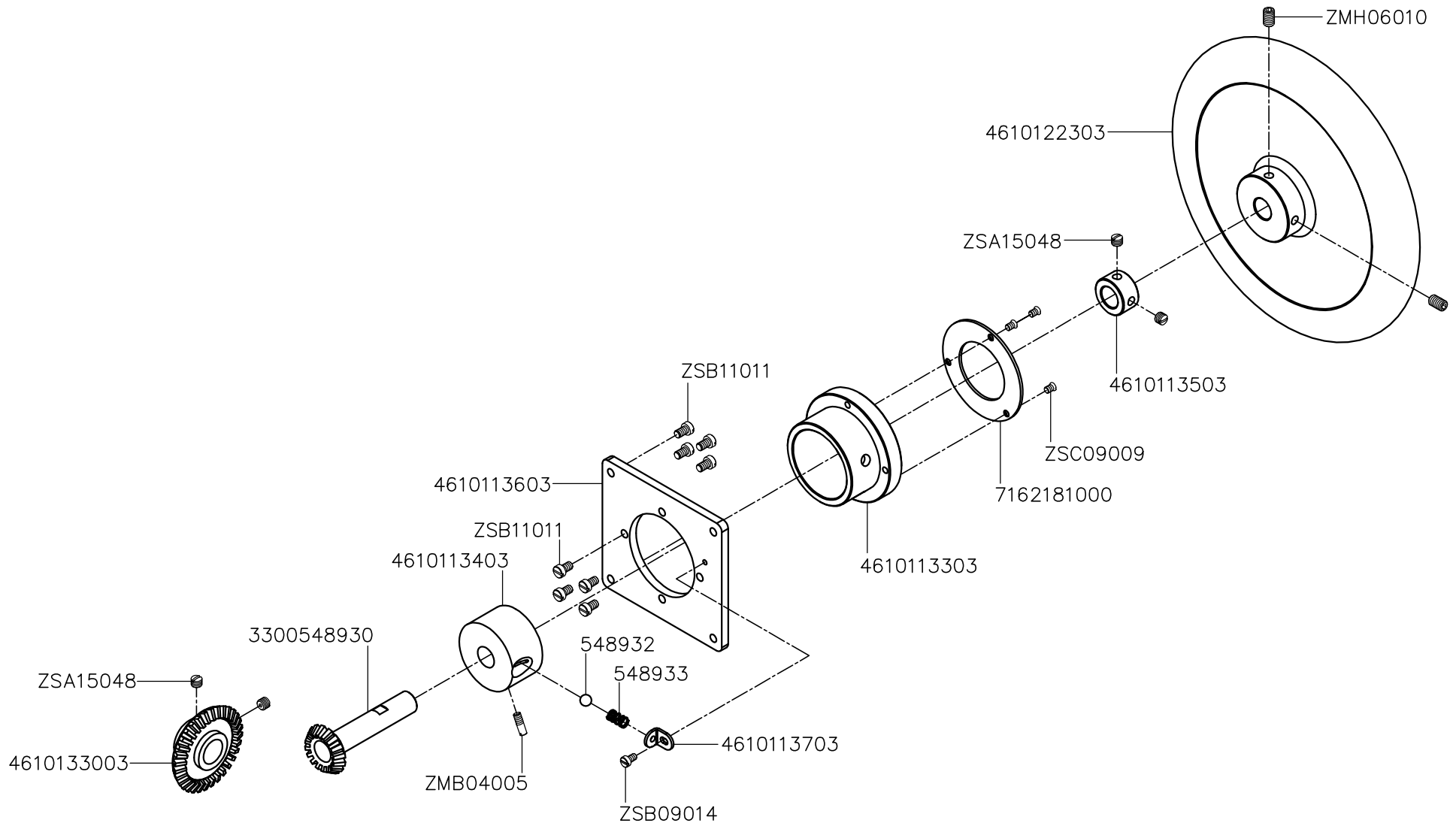
N. CS-461		零件號碼與頁數對照表		NUMERICAL PARTS—LIST (1/3)			
零件號碼	頁數	零件號碼	頁數	零件號碼	頁數	零件號碼	頁數
Part No.	PAGE	Part No.	PAGE	Part No.	PAGE	Part No.	PAGE
4710111100	3-2	4710152000	13-17	4710182800	21-7	XB123001	23-13
4710111600	3-5	4710160100	15-1	4710182900	21-8	4710311400	23-14
4710113300	23-25	4710160200	15-2	4710183000	21-9	4710311605	23-15
4710113400	37-8	4710160300	15-3	4710183100	21-10	4710312000	23-16
4710120101	5-1	461016040A	15-4	4710183200	19-9	4710313000	27-2
4710120201	5-2	4710160600	15-5	4710183200	37-29	4710313005	27-1
4710120300	5-3	4710160700	15-6	4710183600	19-10	4710313100	27-3
4710120400	5-4	4710160900	17-1	4710183700	19-11	4710320100	25-1
4710121100	5-7	4710161000	17-2	4710183800	19-12	4710320300	25-25
4710121300	5-8	4710161100	17-3	4710183900	19-13	4710320400	25-27
4710122000	5-9	4710161200	17-4	4710184000	19-14	4710320500	25-29
4710122100	5-10	4710161300	17-5	4710184200	19-20	4710320800	25-4
4710122304	5-11	4710161600	17-6	4710184210	19-17	4710320805	25-3
4710122500	5-12	4710161700	15-9	4710184220	19-18	4710320900	25-5
4710122601	5-13	4710161800	17-7	4710184230	19-19	4710321000	25-6
4710142201	7-3	4710161900	17-8	4710184240	19-21	4710321100	25-7
4710144401	11-1	4710162000	17-9	4710184250	19-22	4710321200	25-8
4710144500	11-2	4710162100	15-10	4710184260	19-23	4710321300	25-12
4710144600	11-3	4710162200	17-10	4710190100	5-24	4710321400	25-13
4710144700	11-4	4710162300	17-11	4710190200	5-25	4710321500	25-16
4710144800	11-5	4710180100	19-4	4710190220	5-26	4710321600	25-17
4710144900	11-6	4710180301	19-5	4710190230	5-27	4710321800	25-18
4710145000	11-7	4710180500	19-6	4710190300	5-28	4710321900	25-19
4710145100	11-8	4710181300	19-16	4710191301	5-5	4710322000	25-14
4710150100	13-1	4710181400	19-8	4710310100	23-1	4710322200	27-8
4710150200	13-2	4710181800	21-1	4710310100	27-4	4710322300	27-9
4710150300	13-3	4710181900	21-2	4710310400	23-4	4710335100	31-1
4710150600	13-6	4710182000	21-3	4710310500	23-5	4710335200	31-3
4710150700	13-7	4710182100	21-11	4710310600	23-6	4710335300	31-4
4710150800	13-8	4710182200	21-4	4710310700	23-7	4710335400	31-2
4710151500	13-12	4710182300	21-5	4710310800	23-8	4710340100	29-1
4710151600	13-13	4710182400	21-6	4710310900	23-9	4710340200	29-2
4710151700	13-14	4710182500	19-1	4710311000	23-10	4710340300	29-3
4710151800	13-15	4710182600	19-2	4710311100	23-11	4710340400	29-4
4710151900	13-16	4710182700	19-3	4710311200	23-12	4710340500	29-5

N. CS-461 零件號碼與頁數對照表 NUMERICAL PARTS-LIST (2/3)

零件號碼 Part No.	頁數 PAGE	零件號碼 Part No.	頁數 PAGE	零件號碼 Part No.	頁數 PAGE	零件號碼 Part No.	頁數 PAGE
4710340600	29-6	4410161400	15-8	RE000080	7-20	ZSA15010	19-25
4710340700	29-7	4410181600	19-7	RE000080	9-29	ZSA15010	19-26
4710340800	29-8	4410270100	9-2	RE000080	11-17	ZSA15010	21-12
4710340800	37-7	4410270200	9-9	RE000080	15-17	ZSH15001	5-20
4710341200	29-13	4410270400	9-11	RE000080	15-20	ZSA15028	7-12
4710341400	37-6	4410272200	9-8	S1013-0A	3-7	ZSA15028	7-13
4710820100	35-1	4410272300	9-7	WA059005	31-8	ZSA15028	11-16
4710911000	37-12	4410273000	9-10	WA100009	13-25	ZSA15028	15-23
4710911005	37-10	4410111005	3-1	WA110003	37-5	ZSA15028	21-15
4710911100	37-11	4410111200	3-3	WC049001	3-11	ZSA15028	25-30
4710911200	37-13	4410111400	3-13	WH208005	11-10	ZSA15037	15-18
4710911300	37-14	4410140200	9-5	XA200100	9-21	ZSA15037	15-24
4710911400	37-17	4610142100	7-1	XA200160	5-14	ZSA16025	5-23
4410111300	3-4	A1025-0A	23-2	XA300085	21-16	ZSH16001	11-12
4410121000	5-6	A1025-0A	27-5	YB040018	19-27	ZSA16010	7-11
4410140100	9-1	A7000-0A	37-20	YB040045	5-17	ZSA16039	15-21
4410140900	9-3	A7001-0A	37-1	YD030020	13-26	ZSA16029	19-31
4410141900	7-6	A7010-0A	37-22	YD050018	3-6	ZSA16039	13-19
4410142000	7-9	A7010-2A	37-21	ZMD10002	37-3	ZSB06008	25-9
4410142300	7-4	A7012-1A	37-2	ZMH06005	9-12	ZSB08001	27-11
4410142400	7-5	A7050-0A	33-1	ZMH06005	9-14	ZSB08008	25-28
4410142900	9-26	EH7141-4A	37-25	ZMH06005	9-17	ZSB09014	23-21
4410143100	7-7	EH7141-5A	37-23	ZMH06010	9-13	ZSB09047	3-10
4410143300	9-24	EH7141-6A	37-24	ZMJ06002	9-18	ZSB09047	23-22
4410143600	9-23	IN794#230	9-4	ZMJ06002	11-13	ZSB09047	23-24
4410143700	9-6	IN794#230	37-28	ZMJ06004	15-19	ZSB09047	27-12
4410143800	13-10	LG1275-0A	21-17	ZMJ08003	19-28	ZSB09047	37-16
4410143805	13-9	LG4014-0A	15-26	ZMJ08003	21-13	ZSB09061	13-21
4410145600	7-2	LG4043-0A	7-10	ZML10004	37-4	ZSB11008	31-5
4410150100	9-22	LG4044-0A	15-25	ZMT05001	33-2	ZSB11011	23-20
4410150400	13-4	LG4044-0A	19-30	ZMT05003	31-7	ZSB11011	25-2
4410150500	13-5	LG7200-0A	37-26	ZSA08007	25-10	ZSB11015	27-10
4410151000	9-25	LG7201-0A	37-27	ZSA09005	37-19	ZSB11018	3-12
4410152500	13-11	RE000040	5-30	ZSA11003	25-24	ZSB11022	9-15
4410160800	15-7	RE000080	7-19	ZSA15010	5-15	ZSB11035	15-22

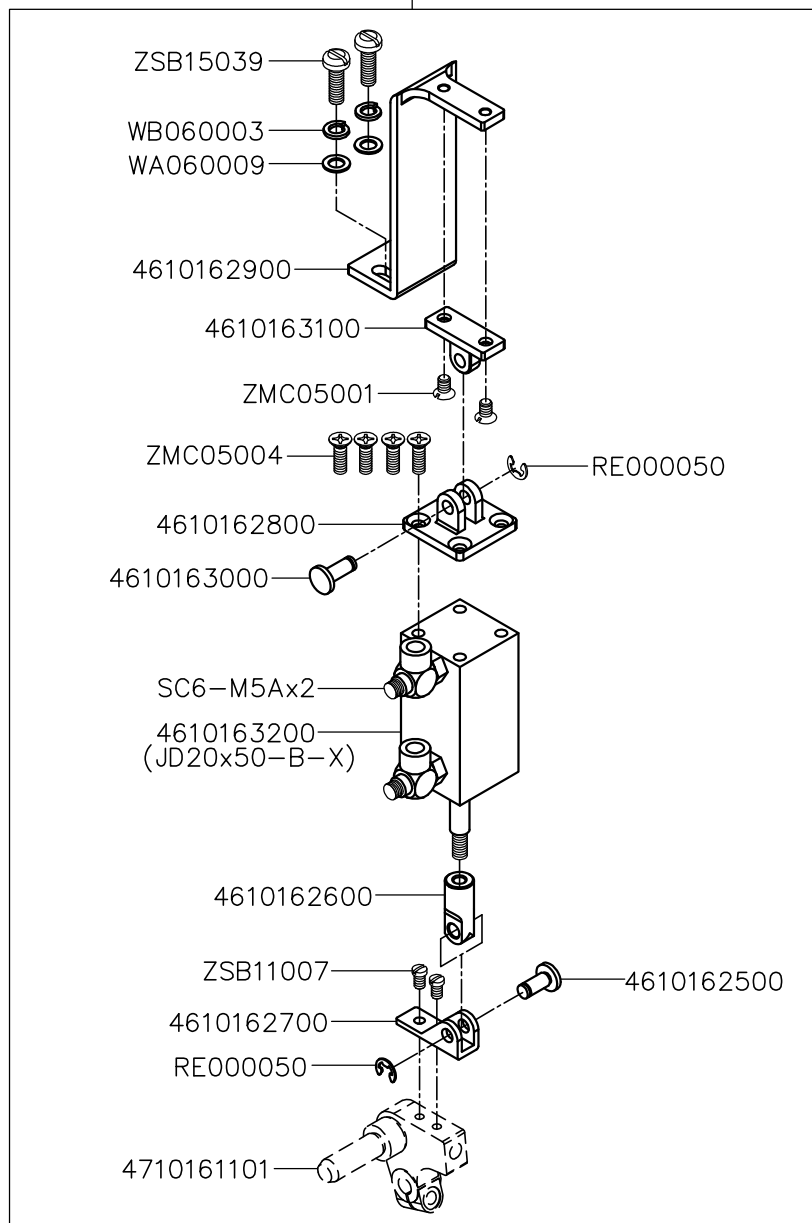
N. CS-461 零件號碼與頁數對照表		NUMERICAL PARTS-LIST (3/3)					
零件號碼	頁數	零件號碼	頁數	零件號碼	頁數	零件號碼	頁數
Part No.	PAGE	Part No.	PAGE	Part No.	PAGE	Part No.	PAGE
ZSB11041	9-27	ZSG15045	29-11	ZSL18003	19-29	4610110700	35
ZSB11041	15-16	ZSG15046	29-12	ZSL18003	23-17	4610110800	35
ZSB11071	25-26	ZSG16024	15-14	ZSL18003	27-7	4610340900	35
ZSB11076	9-19	ZSG16025	29-16	ZSL22001	11-15	4610820100	35
ZSB11083	25-20	ZSG20012	5-29	ZSN16004	23-3	4610820200	35
ZSB12002	13-20	ZSG22002	11-9	ZSN16004	27-6	4610820300	35
ZSB12015	17-15	ZSH16004	5-16	TLA050	39-23	4610820400	35
ZSB12016	13-24	ZSH16005	7-14	TLA040	39-24	4610820505	35
ZSB12036	17-16	ZSH16005	9-16	TLA030	39-25	4610820605	35
ZSB12036	21-20	ZSH16005	13-18	TRB11 × 13	39-26	4610820900	35
ZSB12045	3-8	ZSJ15001	21-21	TRB12 × 14	39-26	4610821000	35
ZSB15001	29-9	ZSJ16001	13-23	TRB09 × 10	39-27	4610821100	35
ZSB15001	29-15	ZSK11037	29-14	ZSK18027	7-21	4610821200	35
ZSB15001	31-6	ZSK18018	17-12	4710910900	37-1	BB6001ZZ	35
ZSB15004	9-20	ZSK18019	7-8	2430913600	39-31	BPUCP205	35
ZSB15004	27-13	ZSK18019	9-28	4610113600	25-14	LG7220-0A	35
ZSB15005	37-18	ZSK18019	11-11	ZSB11011	25-15	LG7221-0A	35
ZSB15021	3-9	2430161200	17-13	461016040C	15-27	LG7222-0A	35
ZSB15015	7-15	ZSK20007	15-11	461016040B	15-28	LG7223-0A	35
ZSB15019	17-17	ZSK20009	7-18	ZMH06008	15-29	LG7224-0A	35
ZSC09005	23-23	ZSK20009	15-12	4610160600	15-30	RE000100	35
ZSC11002	21-14	ZSK20009	15-13	4610160700	15-31	WA100012	35
ZSC11007	5-21	ZSL06001	37-15	WA049003	15-32	WA149003	35
ZSC18001	5-19	ZSL08001	25-11	ZSJ11001	15-33	WB130001	35
ZSD11010	21-18	ZSL09001	13-22	ZMJ06008	15-34	WH212001	35
ZSD20011	7-16	ZSL11002	21-19	WH206002	15-35	WH216001	35
ZSD20003	5-22	ZSL11007	25-22	ZML08001	17-18	ZMD10003	35
ZSD20009	7-17	ZSL11007	25-23	ZMJ05003	17-19	ZMH08002	35
ZSD20011	11-14	ZSL12003	37-9	ZSH15006	21-12	ZMJ06002	35
ZSG06004	19-15	ZSL15002	23-19	ZMJ06006	21-13	ZML16003	35
ZSG11057	25-21	ZSL15004	37-32	XA300085	21-16	ZSC24001	35
ZSG11059	25-15	ZSL16004	15-15	4710183400	21-22	ZSJ32001	35
ZSG12046	23-18	ZSL18001	5-18	WA060008	21-23	ZSJ32002	35
ZSG12047	19-24	ZSL18001	5-31	4710910900	37-1	ZSJ32003	35
ZSG15045	29-10	ZSL18001	17-14			ZSJ32004	35
						ZSL32003	35

△ CS-411N/461/491 前置手動調節機構

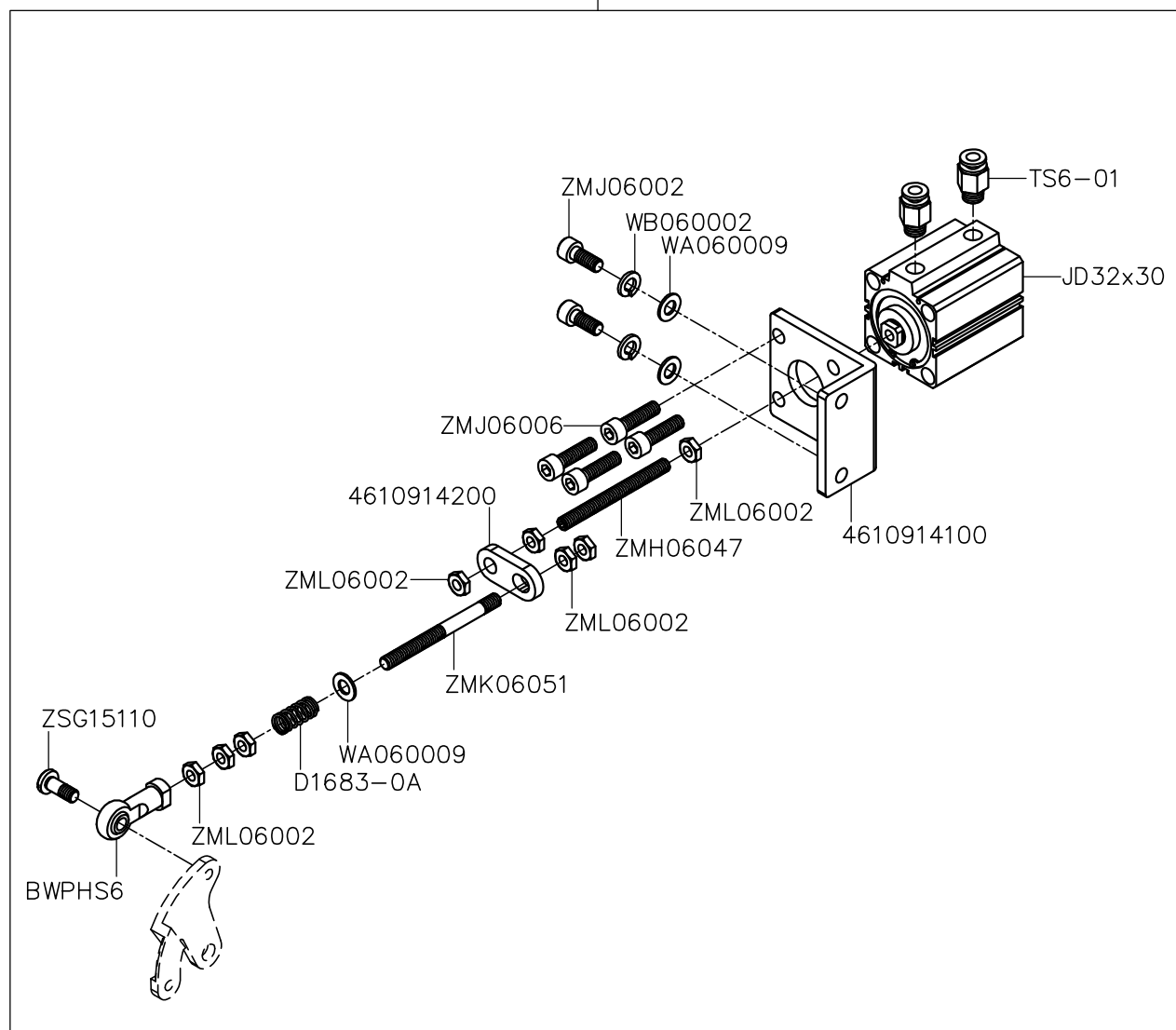


△ CS-243/441/461/471/491 自動回針、自動抬押腳機構(461SF)

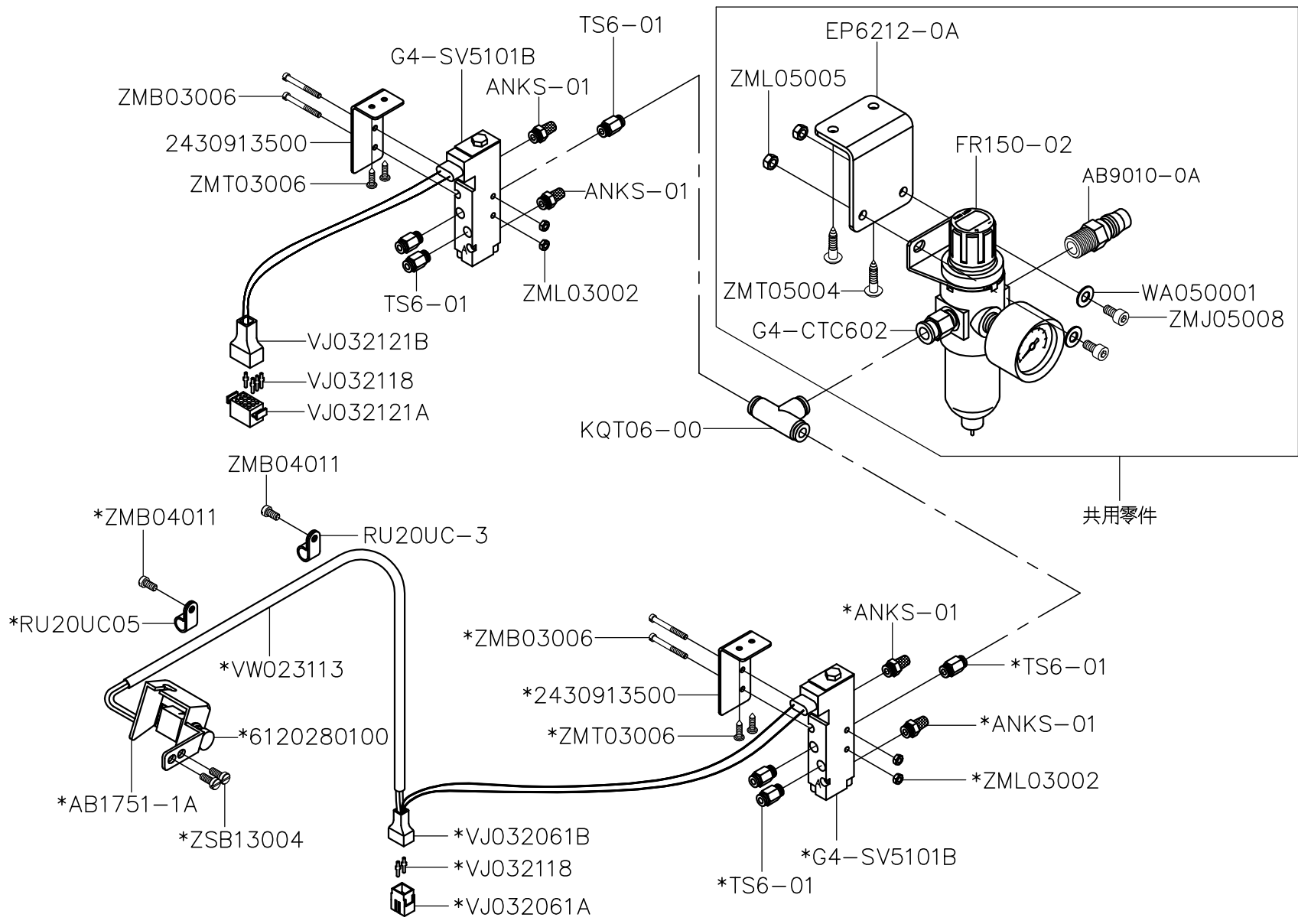
(回針)



(抬押腳)



△ CS-243BF/441BF/461BF/471BF/491BF 自動回針&抬押腳電線配置圖



標示”*”表自動回針機構的配件